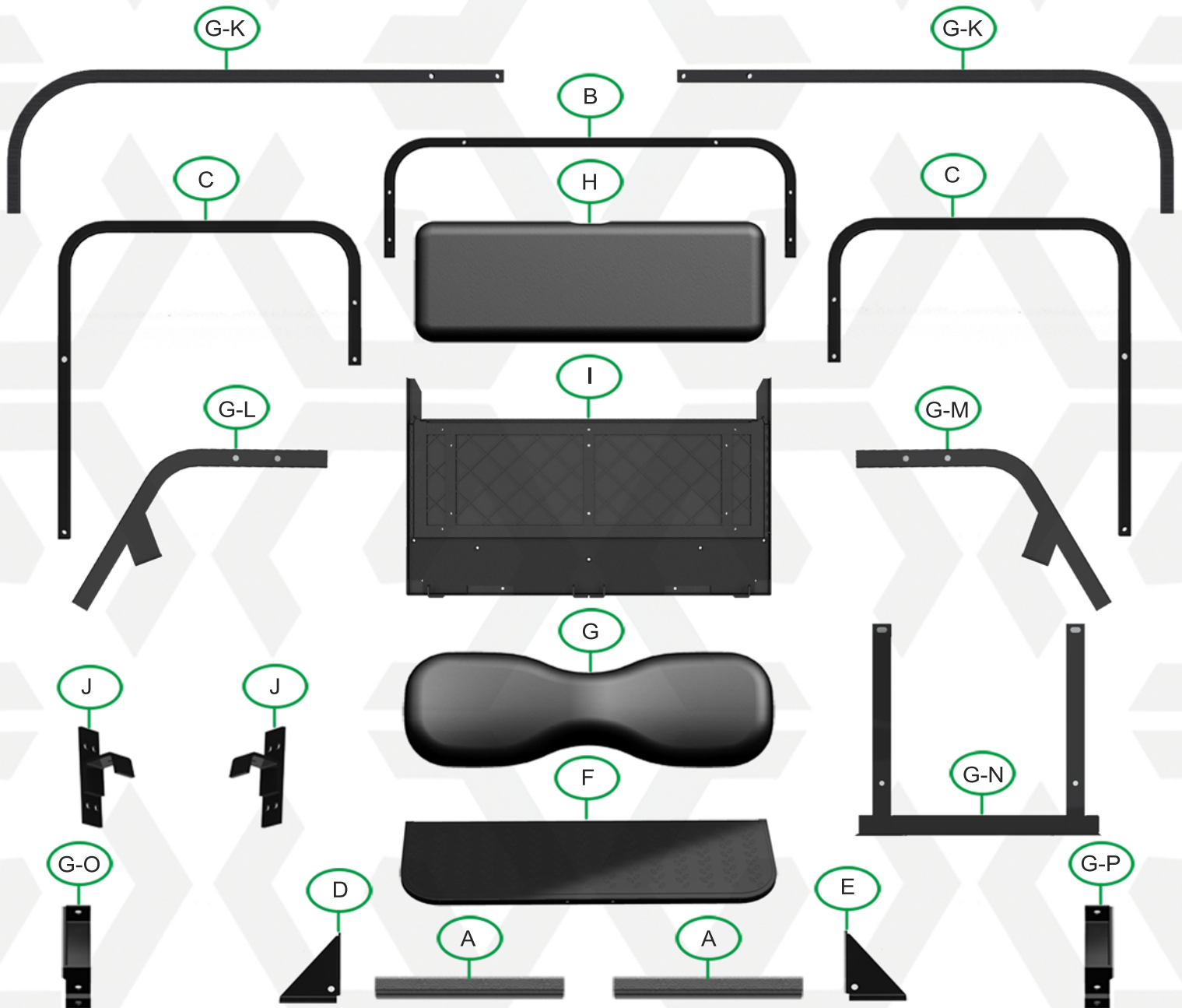


MODZ[®] FLIP⁴

YAMAHA G14-G22

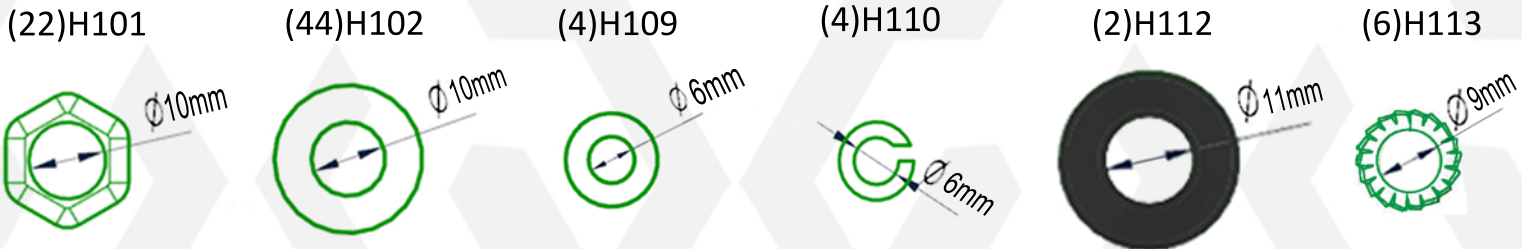
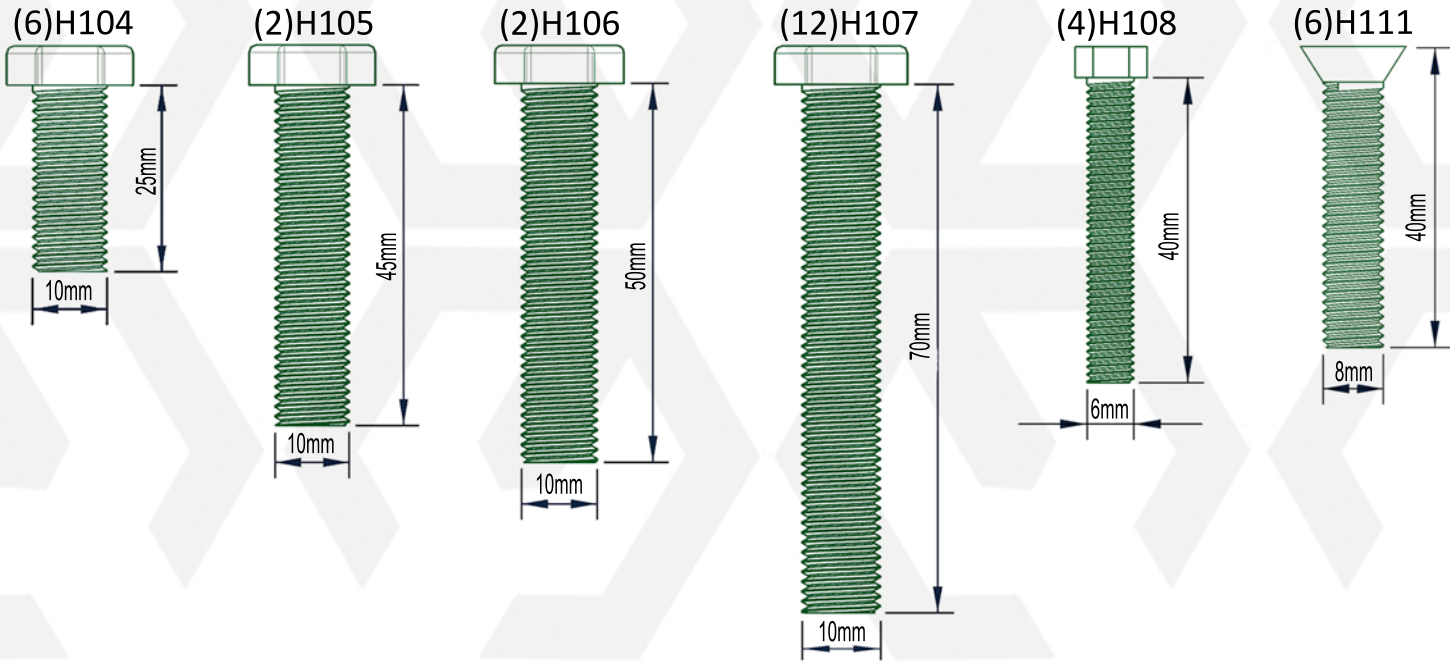
   CartModz.com/Flip4  844-MODZ-USA



HARDWARE:

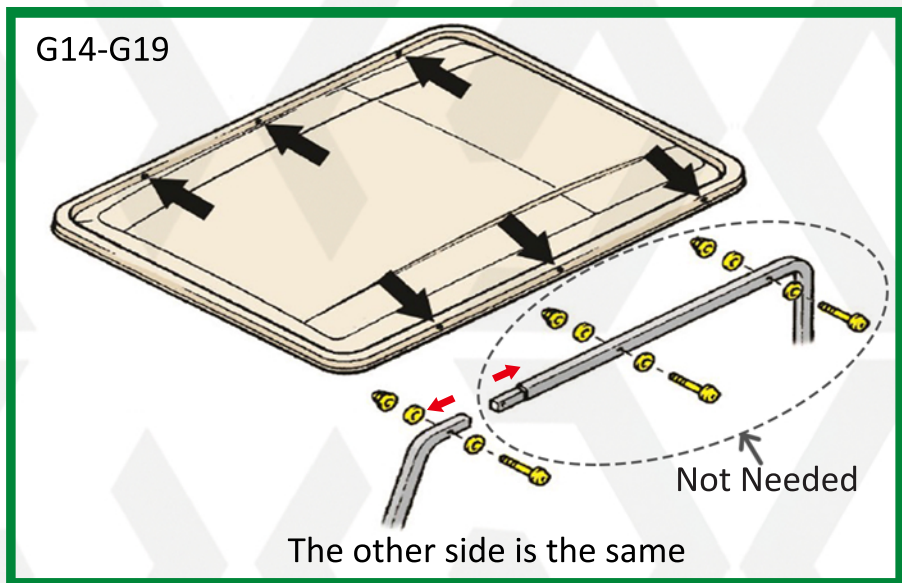
Shown to scale

Unit: mm

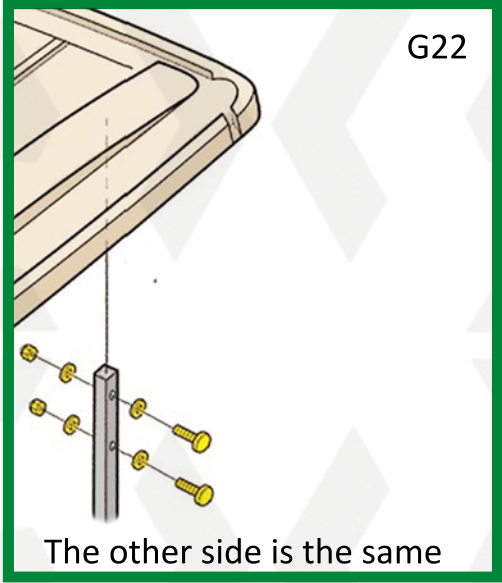


STEP 1

Remove top, Separate front U-Bar from the rear portion (G14-G19 Only).
(Retain factory hardware).



Carts with Non-Collapsible Struts.



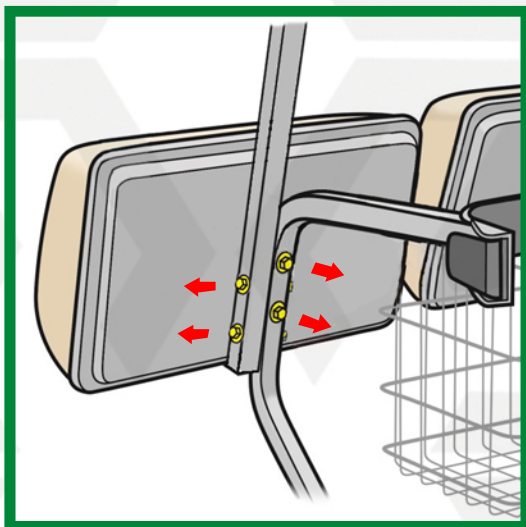
Carts with Collapsible Struts.



STEP 2

Remove rear struts and front seat back and bag attachment assembly.

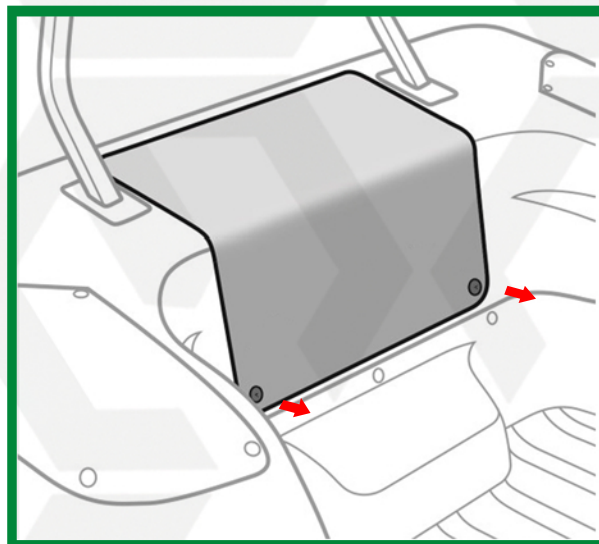
Retain factory hardware.



STEP 3

Remove the access panel.

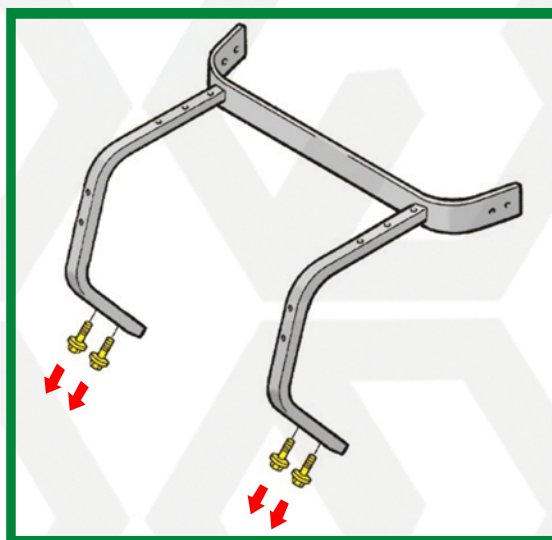
Retain factory hardware.



STEP 4

Remove the seat back support.

Retain factory hardware.

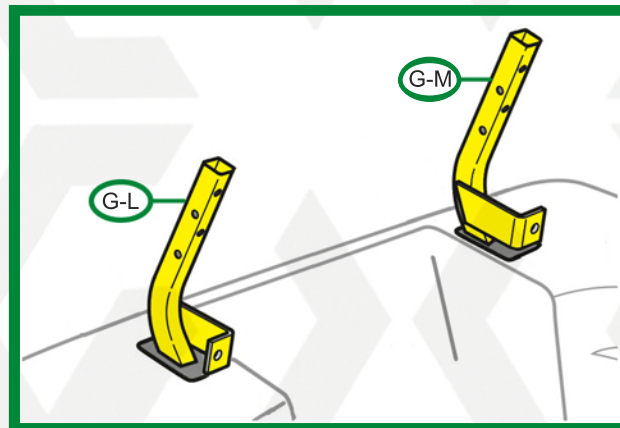


STEP 5

Install the new front seat back support brackets where the original bracket was installed, Mount using Original Hardware in step 4.

Fully tighten.

Reinstall the access panel using Original Hardware in step 3.

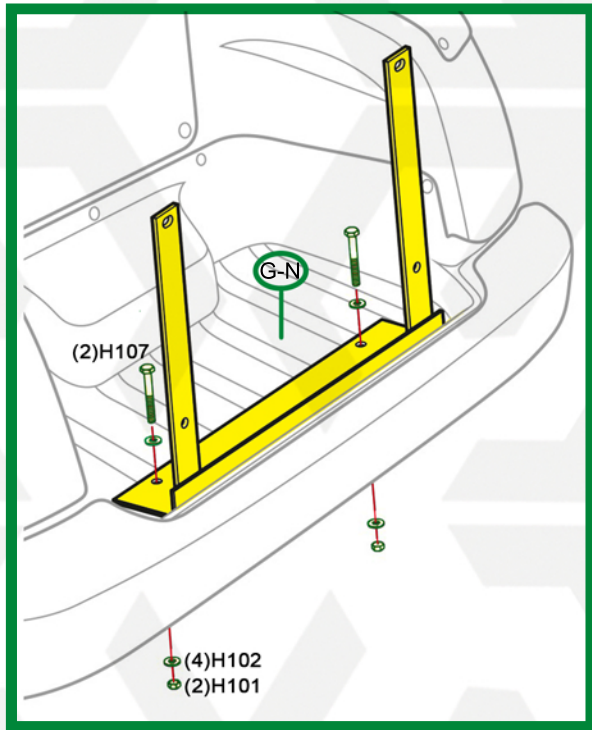


STEP 6

Install seat frame with plastic board.

Hand tighten only.

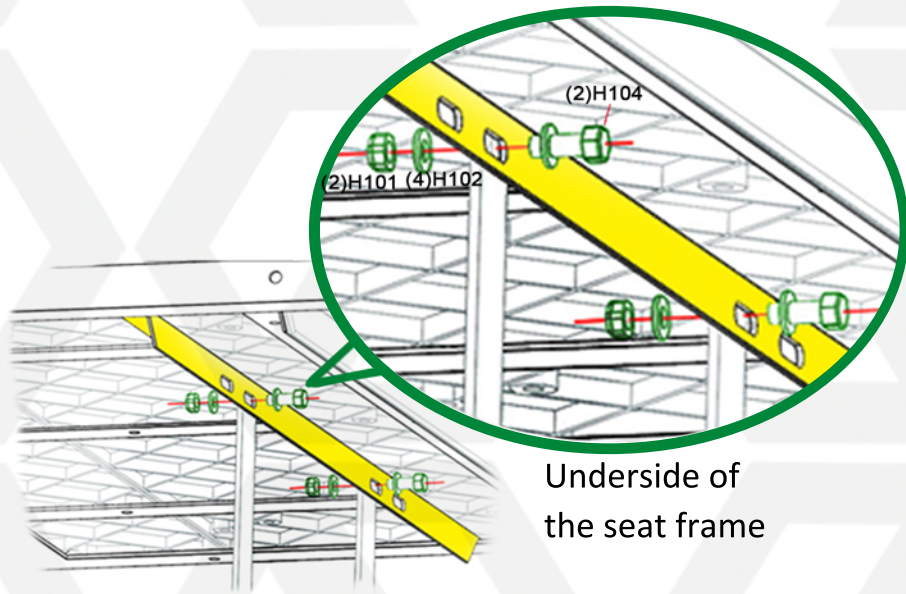
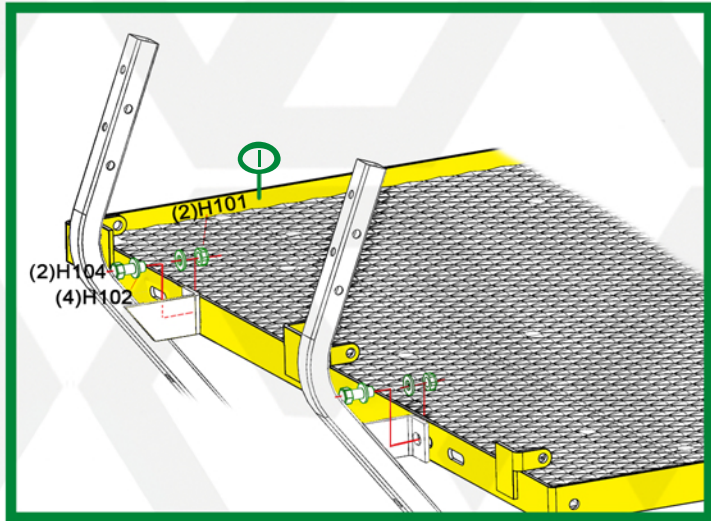
Leave Loose.



STEP 7

Install seat frame with plastic board.

Hand tighten only.

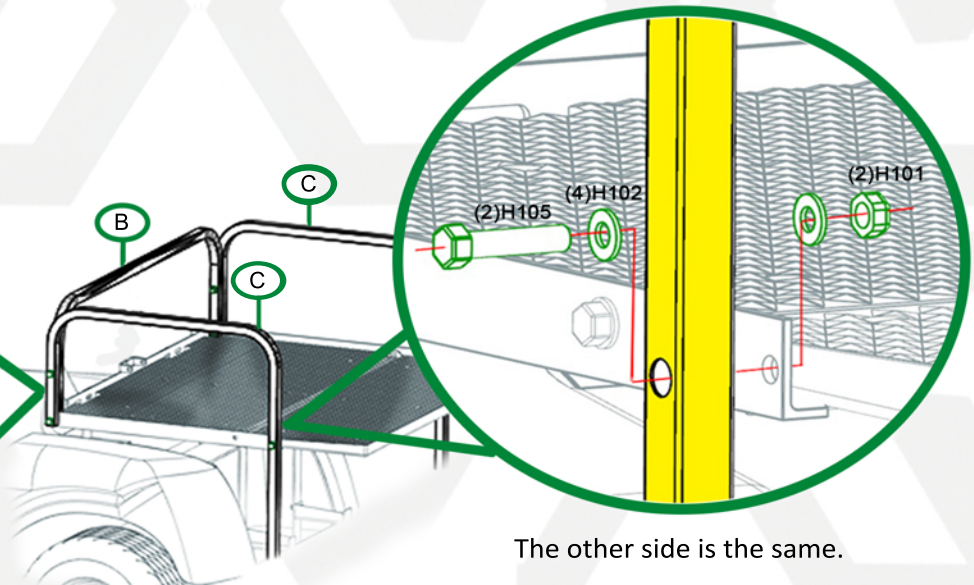
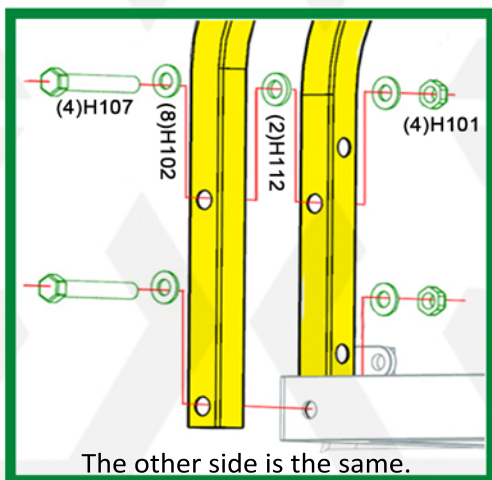


Underside of the seat frame

STEP 8

Install support brackets.

Hand tighten only.

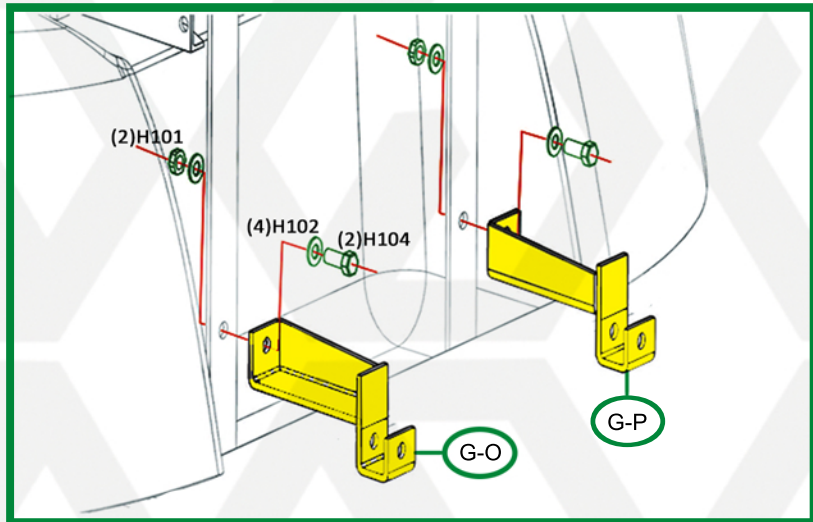


The other side is the same.

STEP 9

Install footrest support brackets.

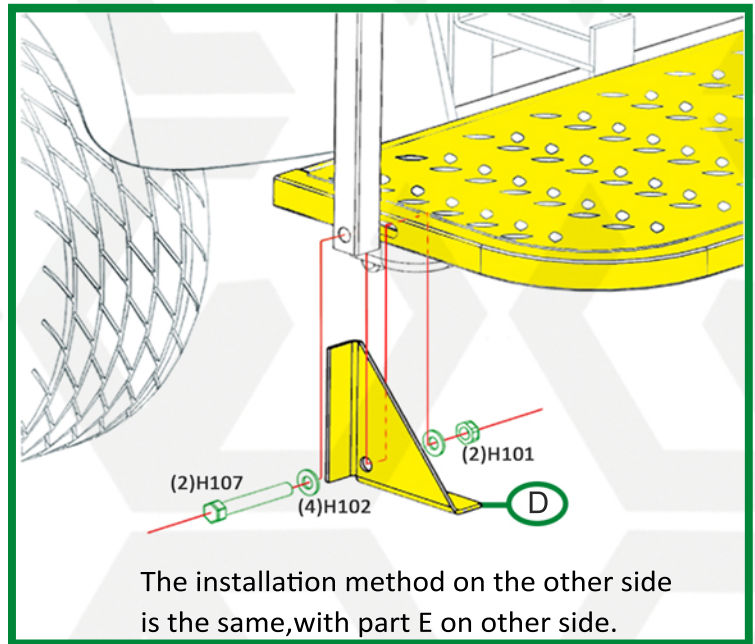
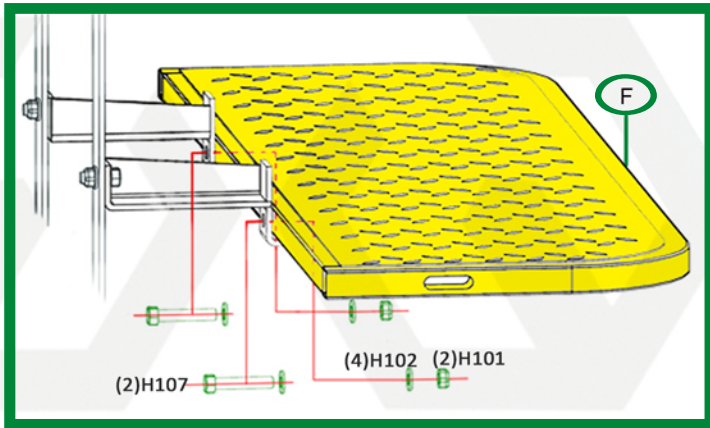
Hand tighten only.



STEP 10

Install footrest brackets and footrest.

Hand tighten only.

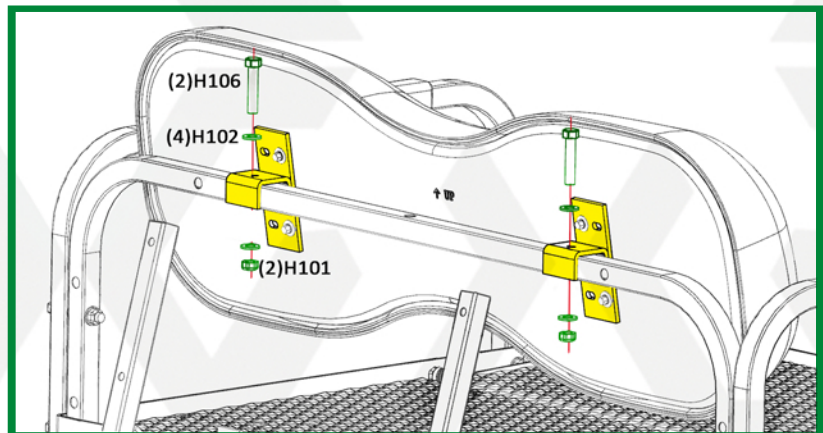
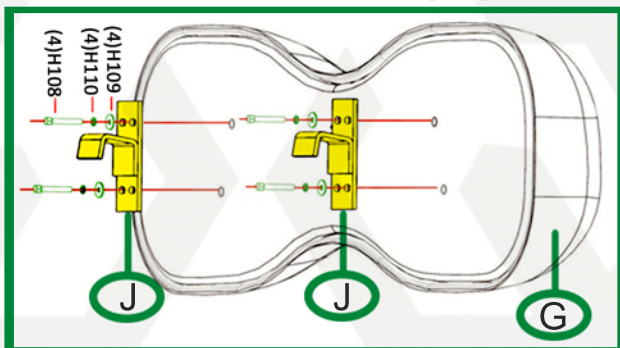


STEP 11

Reinstall the front seat back using original hardware according to the disassembly method.

STEP 12

Install rear seat back. Fully tighten.



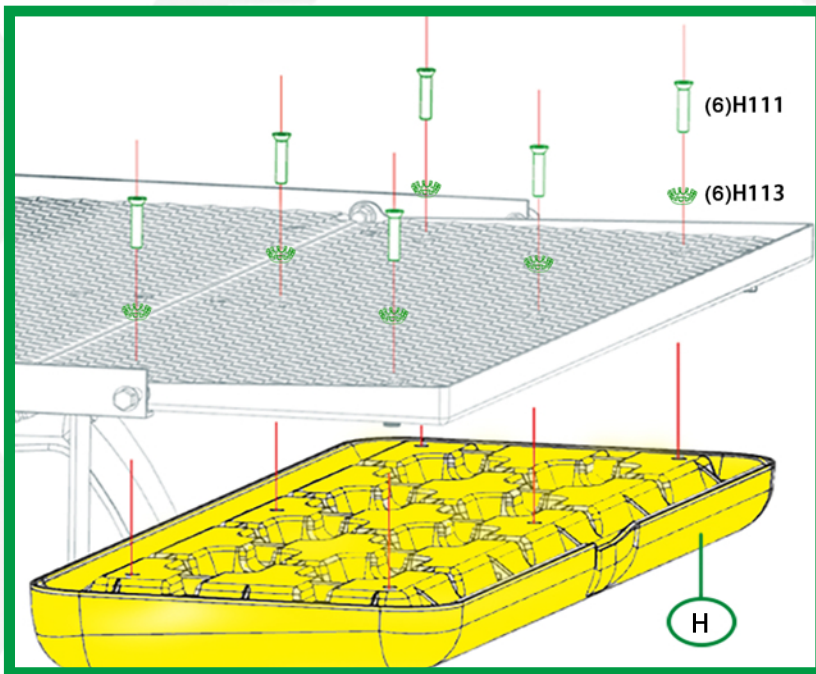


STEP 13

Install seat cushion.

Caution: Use hand screw driver and
Install screws loosely prior to tightening.

(6)H113 are optional hardware when
install.

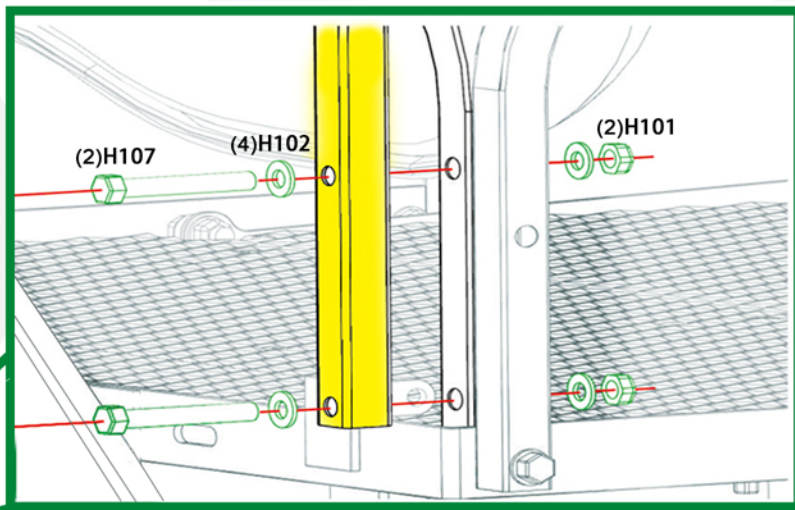
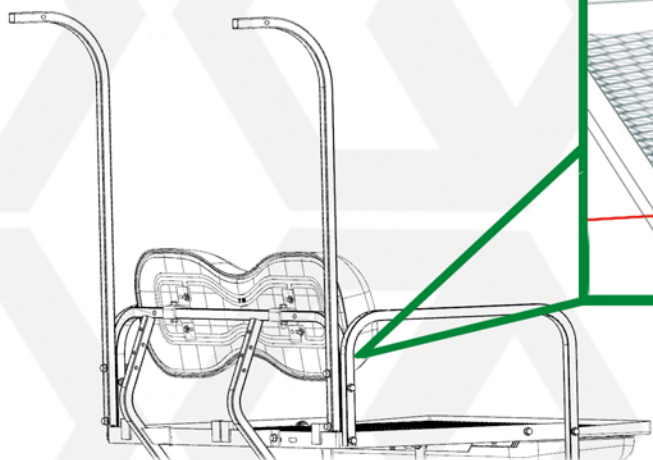


STEP 14

Install rear strut for G14-G19.

G22 carts will reuse factory struts.

Hand tighten only.



STEP 15

Reinstall the top using original hardware according to the disassembly method as in step 1.

STEP 16

Install optional padded armrest covers (part A).

STEP 17

Tighten all hardware and enjoy!

