



VOLT-2000 and VOLT-2001

26-60V DC Input to 12V, 20/30 Amp DC Output

Voltage Reducer: Installation Instructions

Before You Start

1. If the vehicle is ON, turn the key to the OFF position.
2. Electric Carts: Place the TOW/RUN switch in the TOW position.
3. Engage the parking brake.
4. Remove the system's positive (+) and negative (-) connections from the battery pack.

Caution: Please read through the instructions carefully before installing this product. Remove the system's positive and negative connections from the battery pack before starting this project. The reducer is designed for 26-60V operation only. Operating the reducer at a higher voltage will void any and all warranty. Look behind each drill location BEFORE YOU DRILL. Installer is responsible for damage (i.e. drilling into a wire harness, battery, fuel tank etc.).

Install Voltage Reducer

1. Locate an open area on the golf cart chassis for installation. The area should be well ventilate and easily accessible. Clean the area well.
2. Position the voltage reducer and mark the mounting holes with a marking device. Drill the marked holes and bolt the voltage reducer into place. Mounting hardware is not included.
3. Connect the wires as shown in the following wiring diagrams. Please note, the E-Z-Go RXV and the Club Car Precedent have different wiring diagrams.

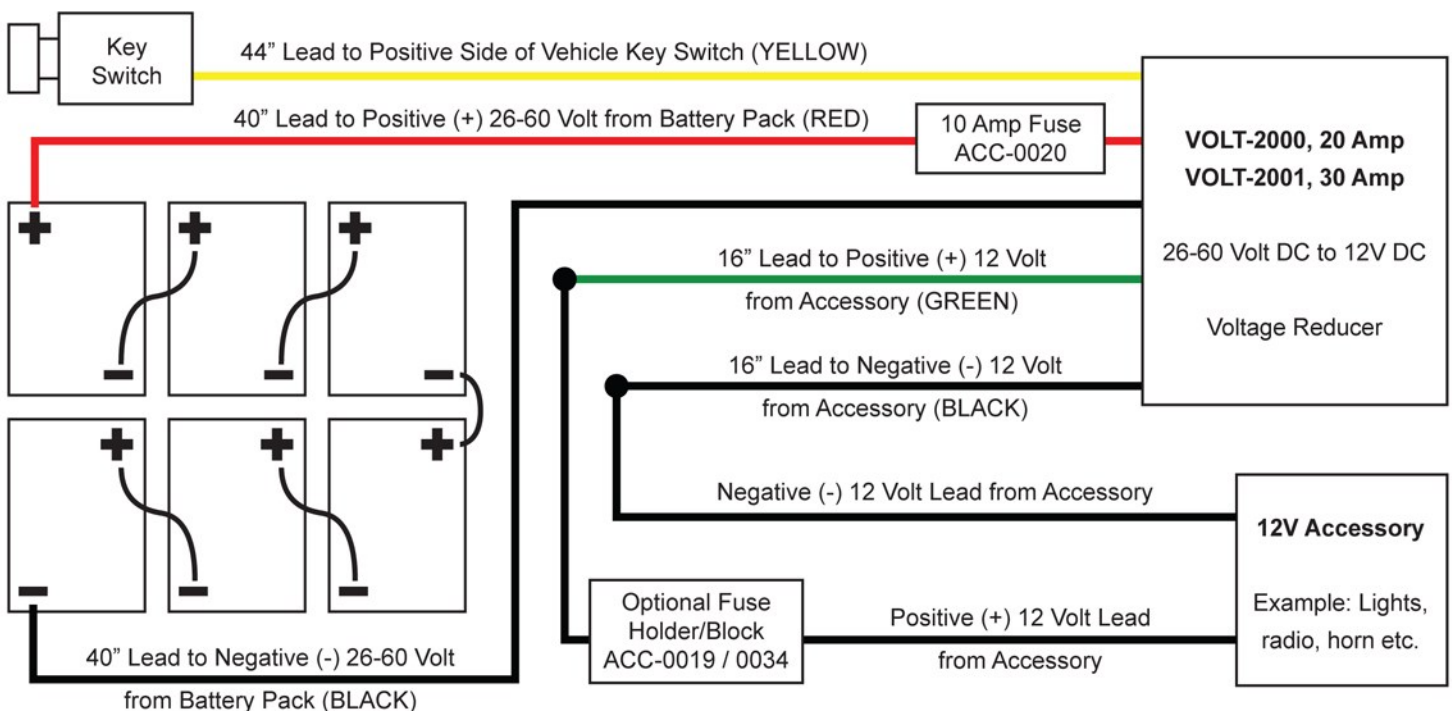
NOTE: Battery layouts are for instructional purposes only. Battery configurations may vary.

4. Reconnect the vehicle's positive (+) and negative (-) connections to the battery pack and place the TOW/RUN switch in RUN. Verify all battery connections are tightened and secure. Turn the key to the ON position and turn on the accessory/accessories to test the new voltage reducer.

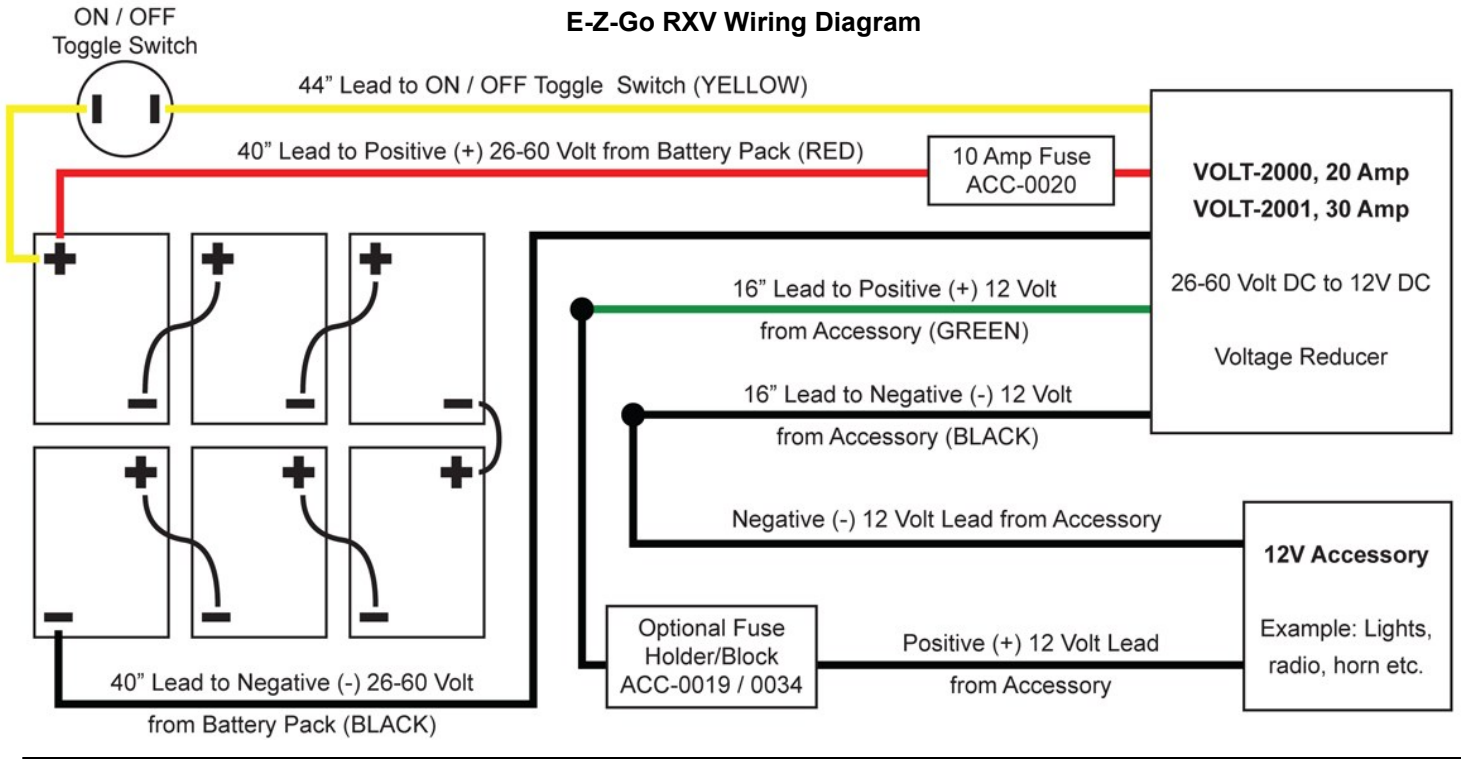
VOLT-2000 and VOLT-2001

Basic Wiring Diagram

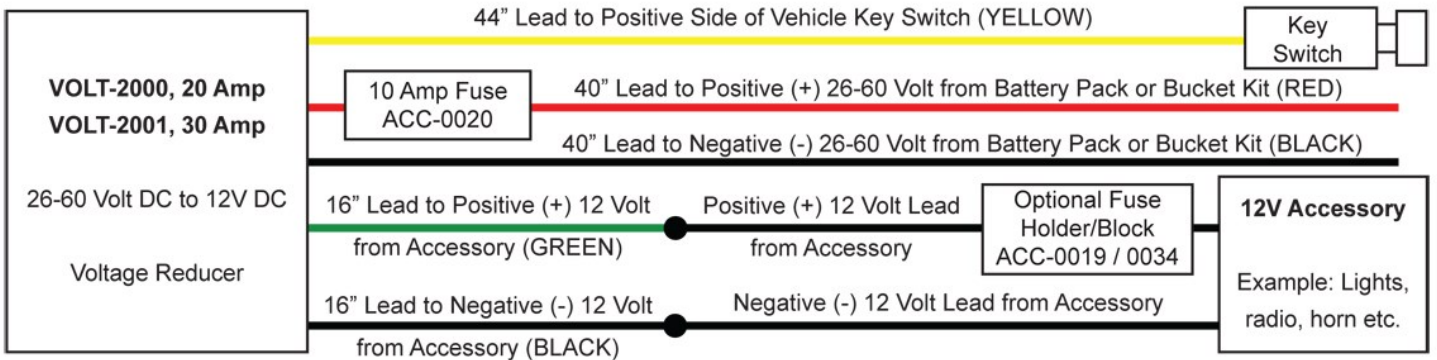
* Diagrams for the E-Z-Go RXV and the Club Car Precedent are on the reverse.



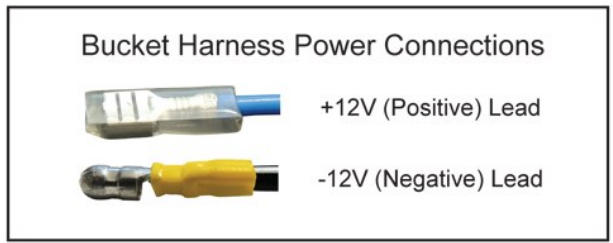
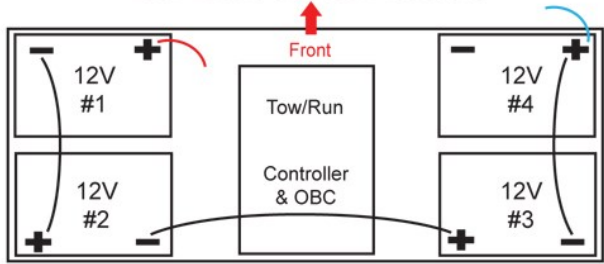
VOLT-2000 and VOLT-2001 E-Z-Go RXV Wiring Diagram



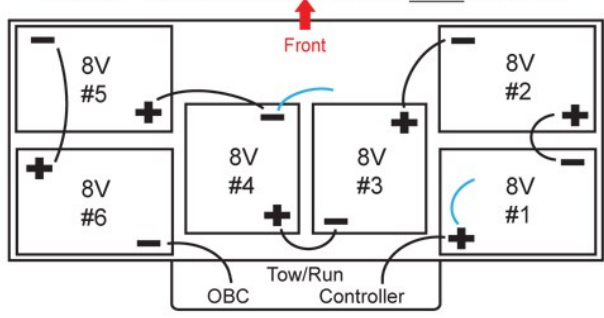
VOLT-2000 and VOLT-2001 Club Car Precedent Wiring Diagram



2004-2008.5 Club Car Precedent



2008.5+ Club Car Precedent with 8 Volt Batteries



2008.5+ Club Car Precedent with 12 Volt Batteries

