

# MODZ<sup>®</sup> FLIP4

## EZGO TXT AND TXT48

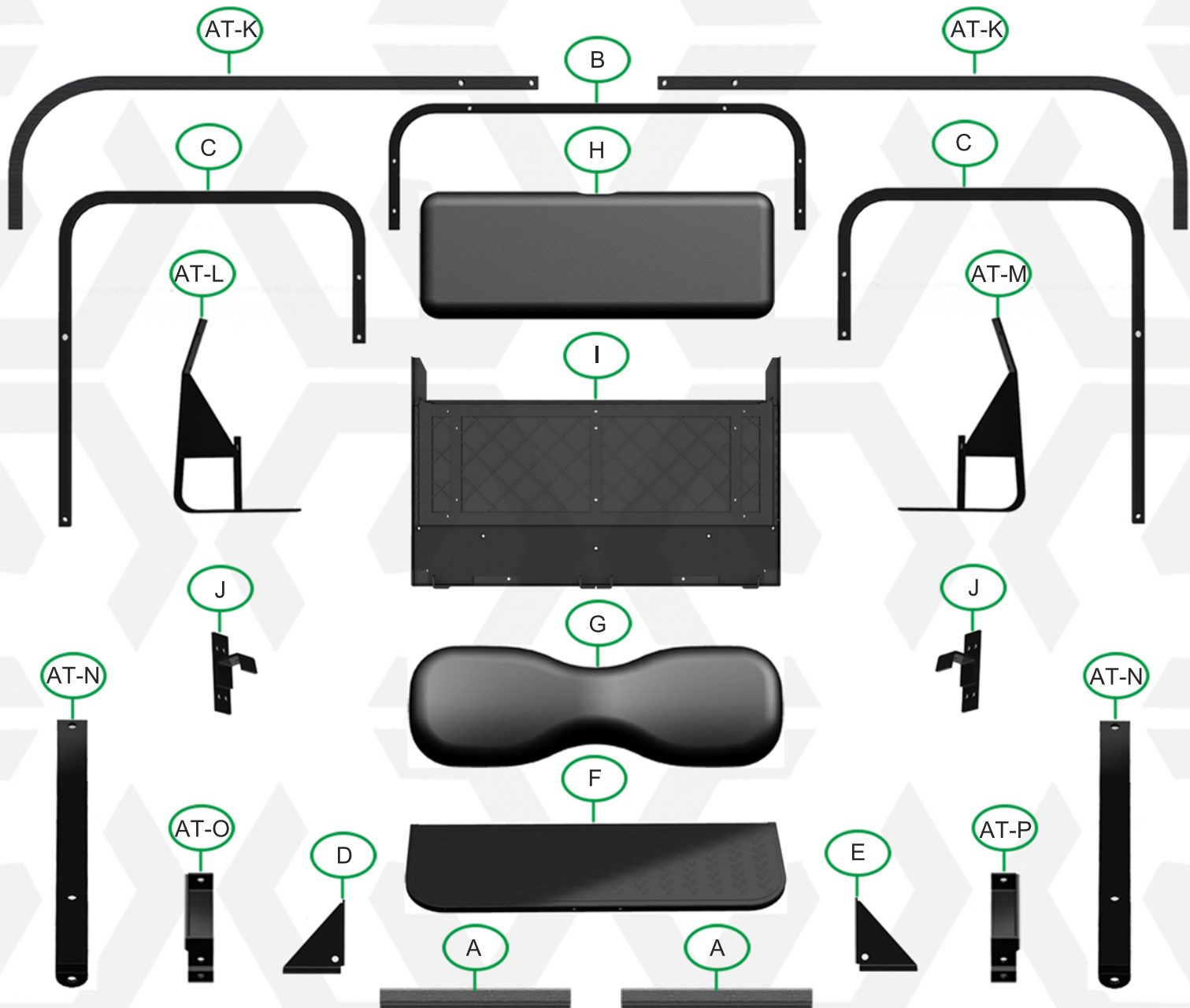




[CartModz.com/Flip4](http://CartModz.com/Flip4)



844-MODZ-USA

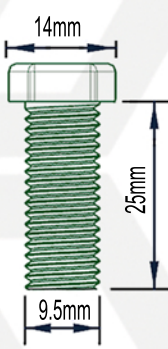


**HARDWARE:**

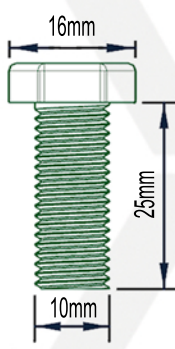
Shown to scale

Unit: mm

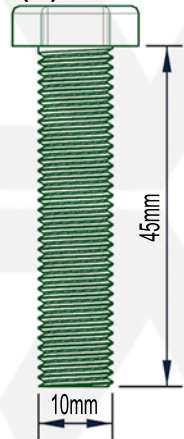
(4)H103



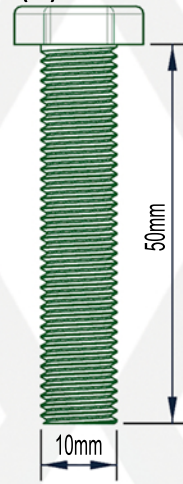
(6)H104



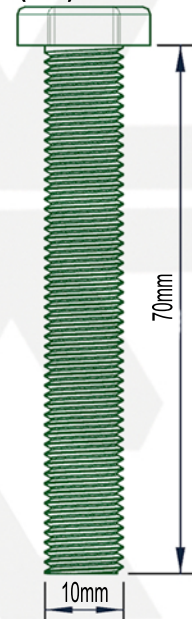
(2)H105



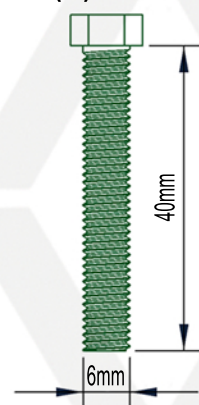
(4)H106



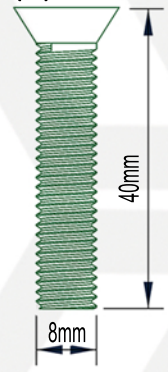
(12)H107



(4)H108



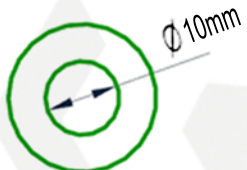
(6)H111



(24)H101



(52)H102



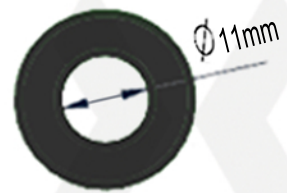
(4)H109



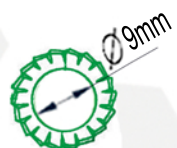
(4)H110



(2)H112

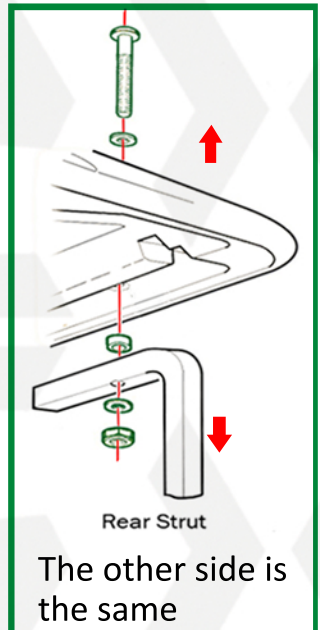


(6)H113



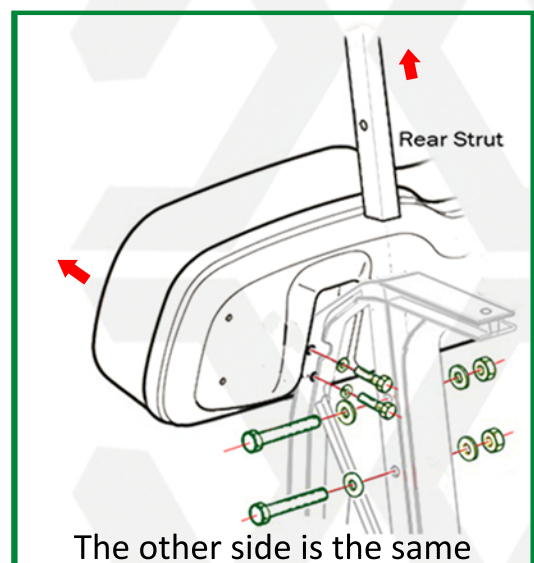
**STEP 1**

Remove top(Retain factory hardware).



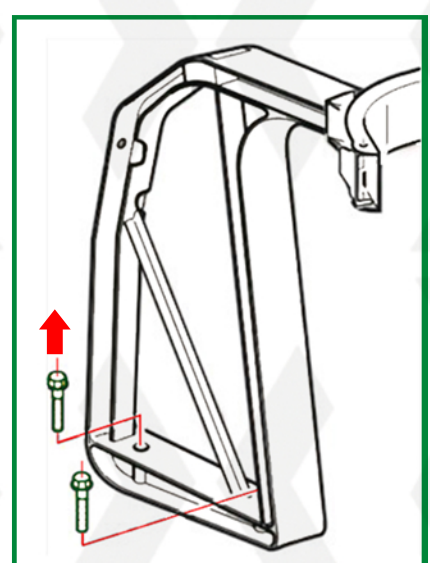
**STEP 2**

Remove rear struts and front seat back cushion while supporting top (Retain factory hardware).



**STEP 3**

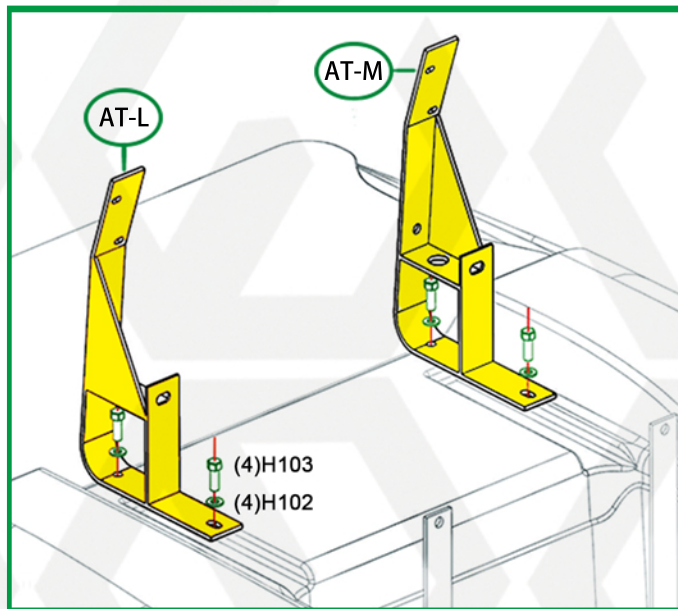
Remove both seat back supports



### STEP 4

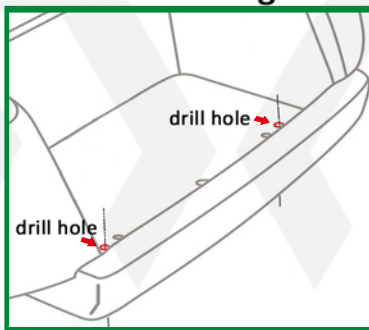
Install seat back supports.

**Tighten hardware fully.**



### STEP 5

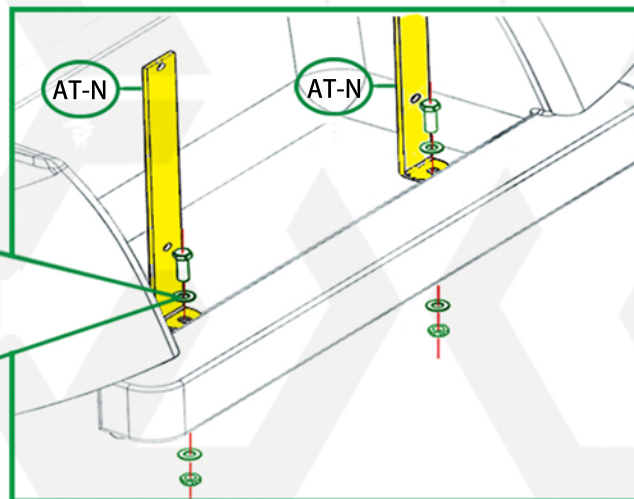
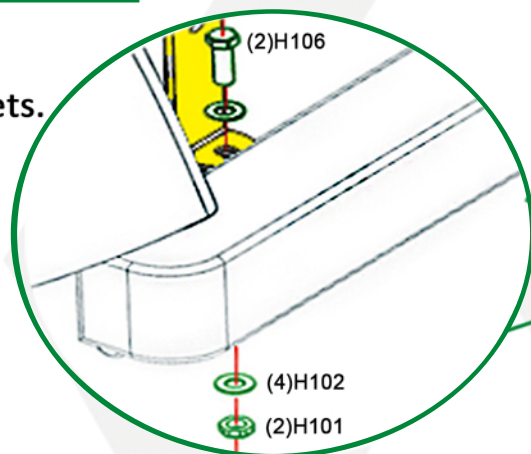
Some years may require center hole to be drilled out of bag well.



Use a 3/8" drill bit to open up the (2) rear most holes in the bagwell area. Drill completely through the rivet and the frame.

Install vertical support brackets.

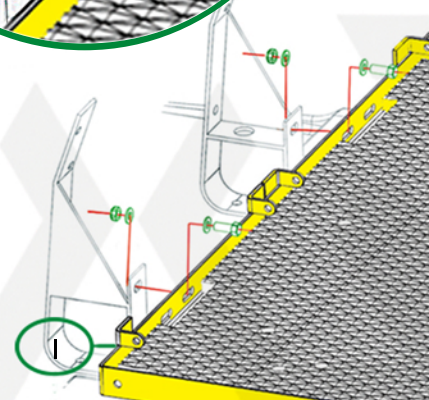
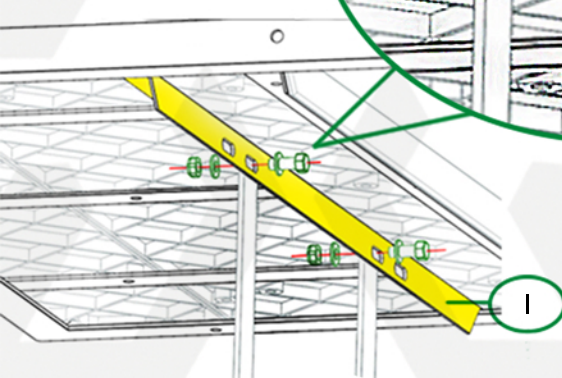
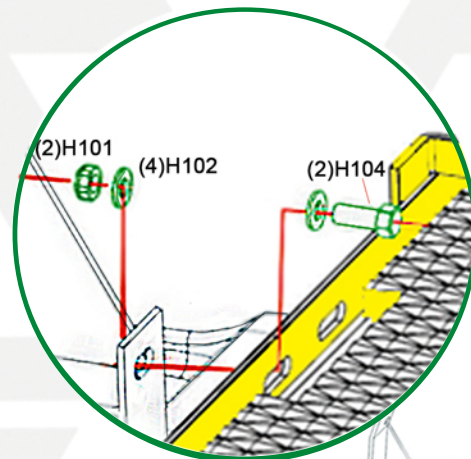
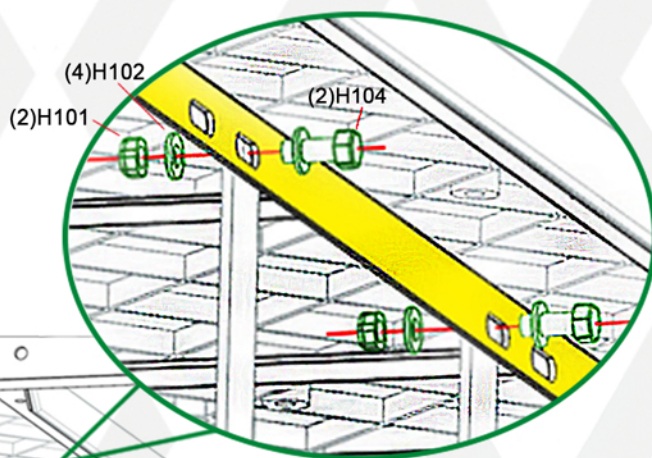
**Hand tighten only.**



### STEP 6

Install seat frame with plastic board.

**Hand tighten only.**



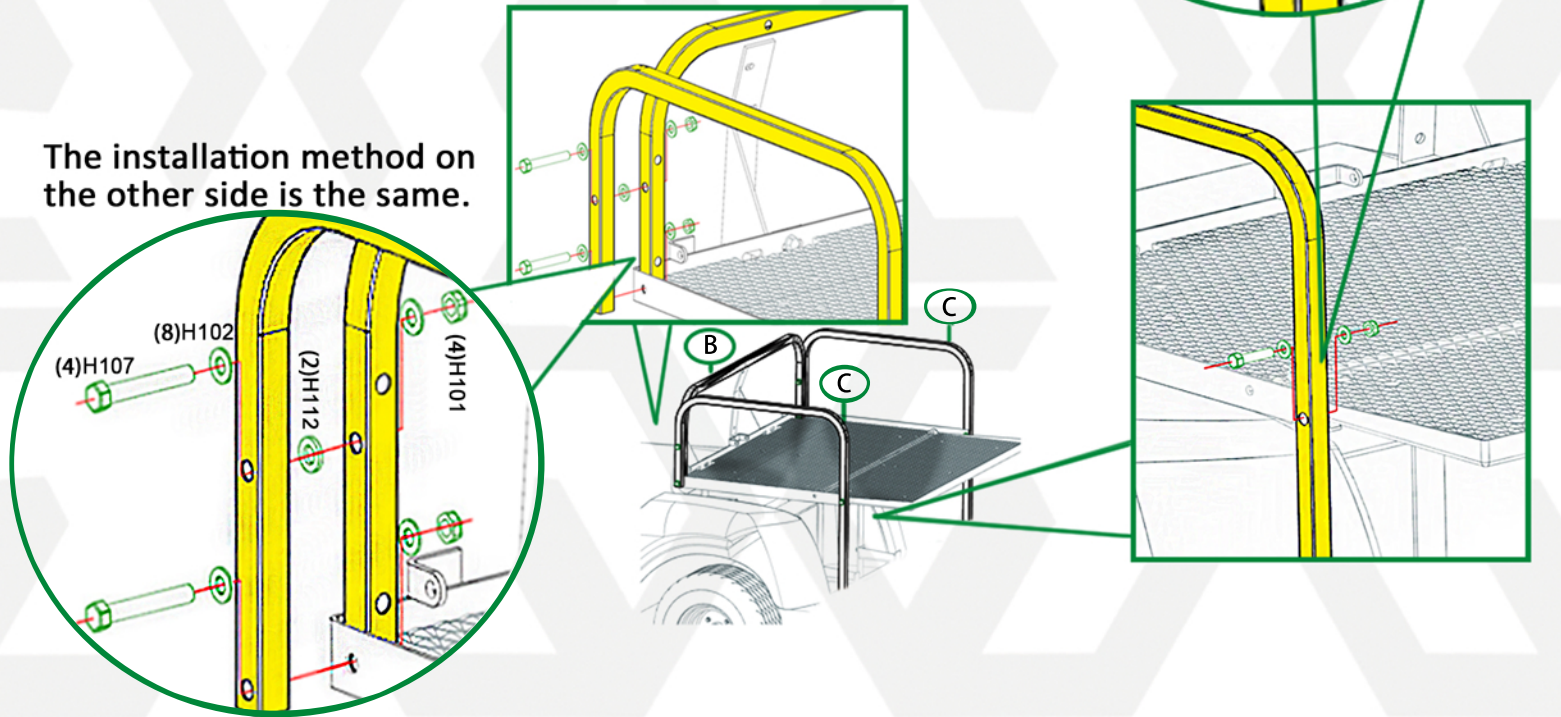
### STEP 7

Install support bracket.

Hand tighten only.

The installation method on the other side is the same.

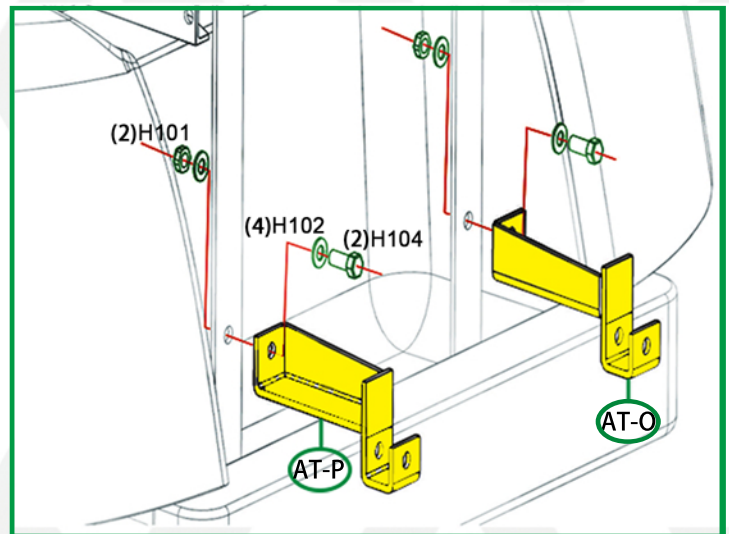
The installation method on the other side is the same.



### STEP 8

Install footrest support brackets.

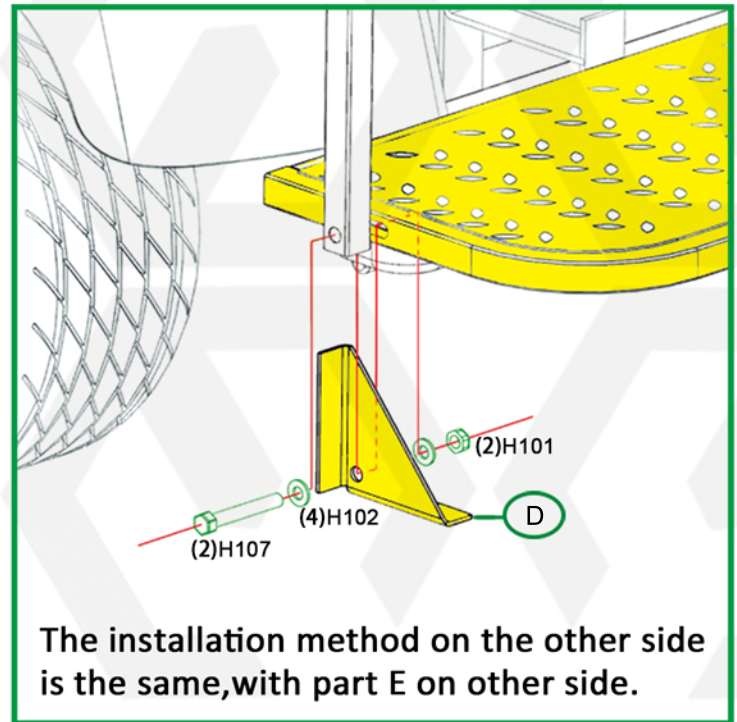
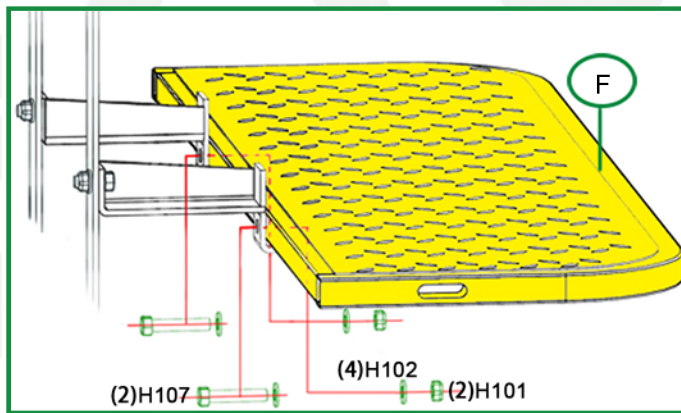
Hand tighten only.



### STEP 9

Install footrest brackets and footrest.

Hand tighten only.



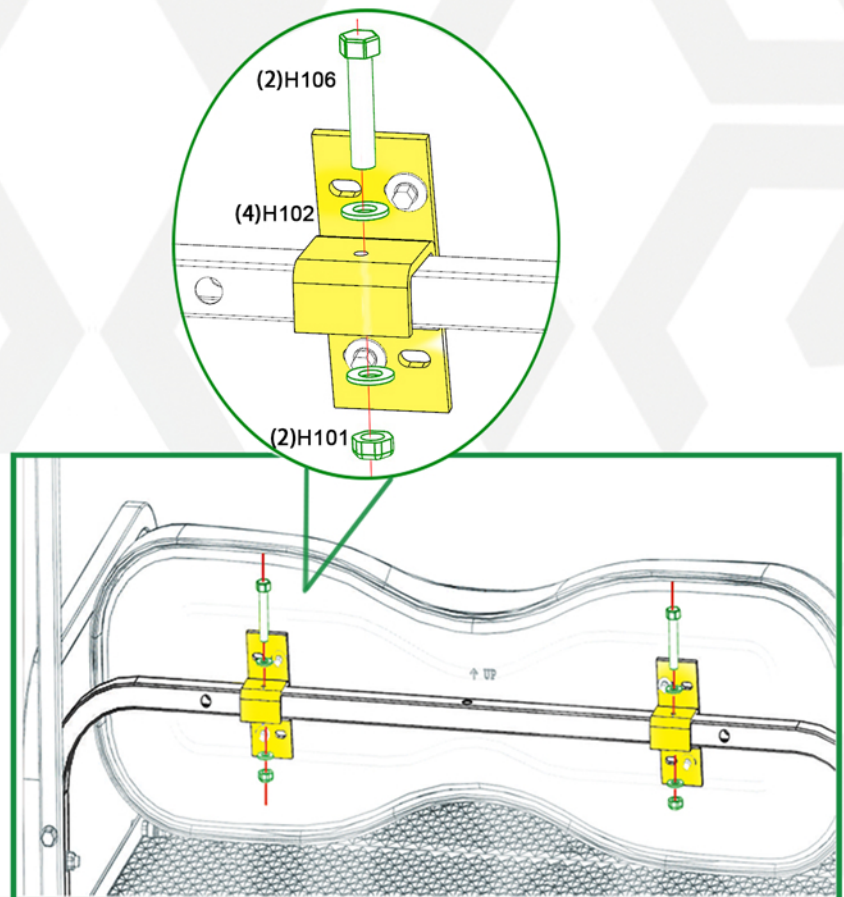
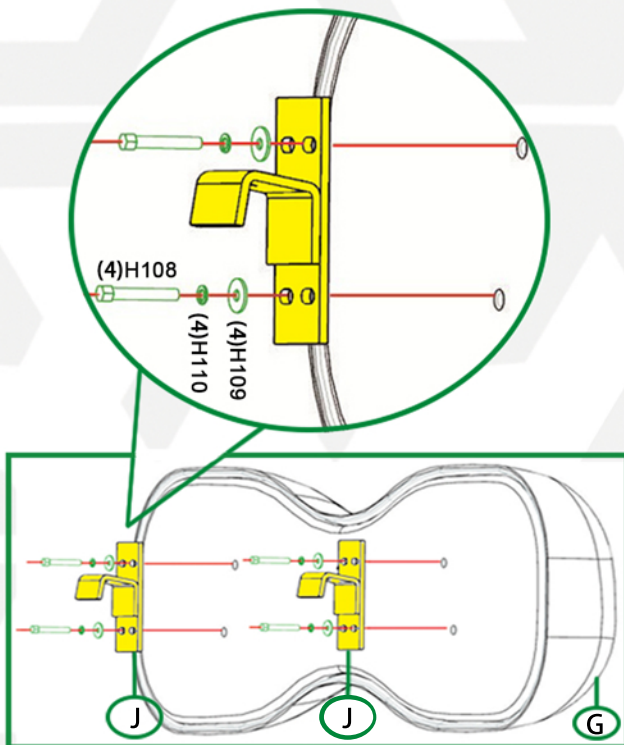
The installation method on the other side is the same, with part E on other side.

### STEP 10

Reinstall the front seat back according to the disassembly method with original hardware.

### STEP 11

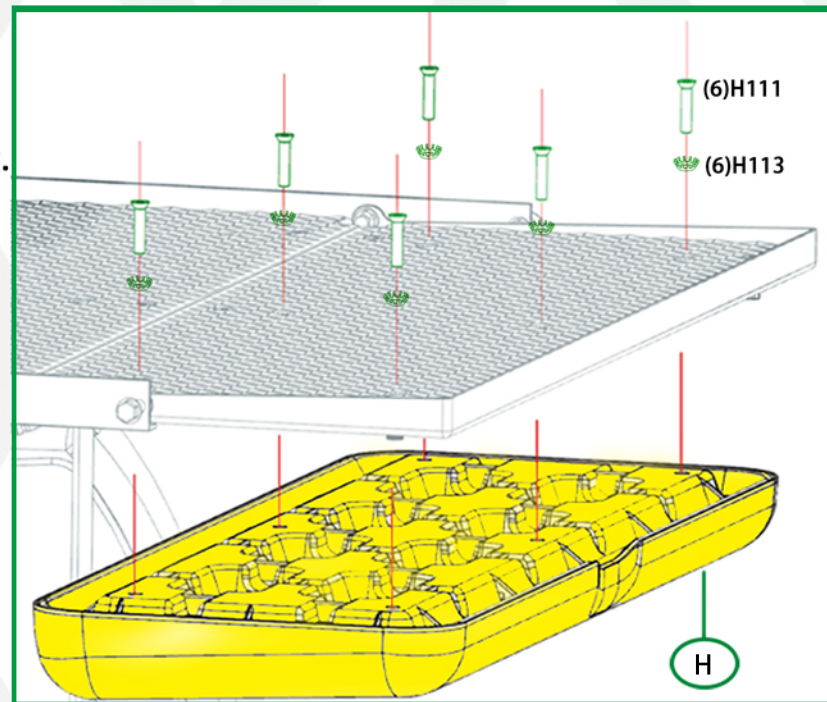
Install seat back.



### STEP 12

Install seat cushion.

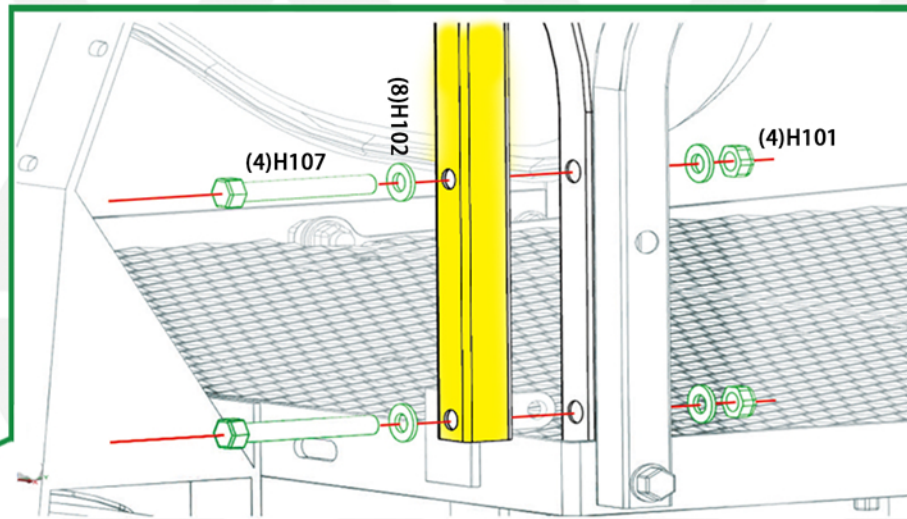
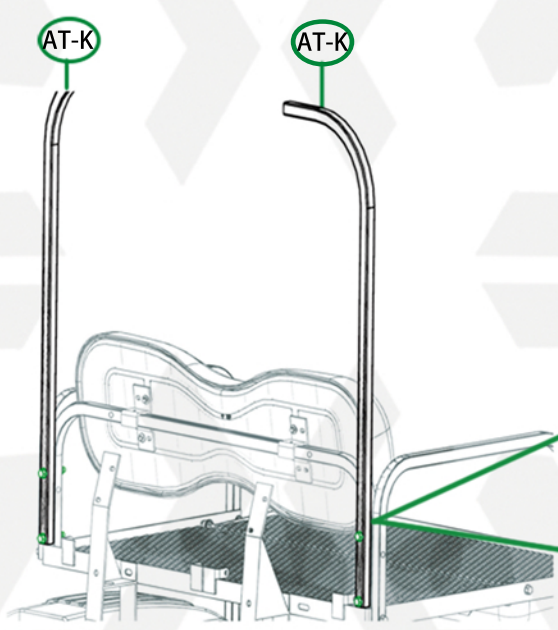
Caution: Use hand screw driver and  
Install screws loosely prior to tightening.



### STEP 13

Install rear strut.

Hand tighten only.



The installation method on the other side is the same.

### **STEP 14**

Reinstall the top using Original Hardware according to the disassembly method.

### **STEP 15**

Install optional padded armrest covers (part A).

### **STEP 16**

Tighten all hardware and enjoy!

