



MODZ[®]

FLIP⁴

CLUB CAR PRECEDENT

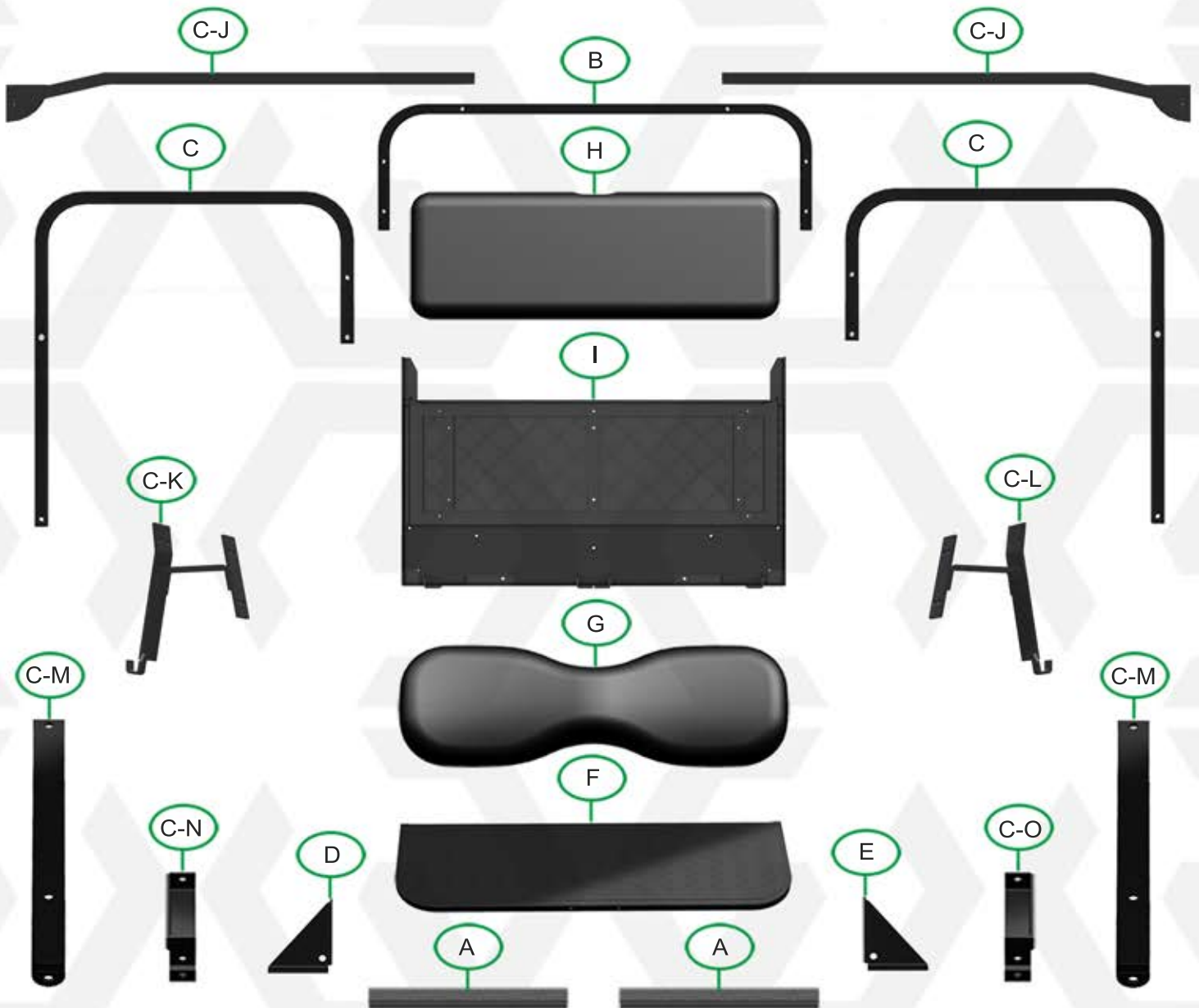




CartModz.com/Flip4



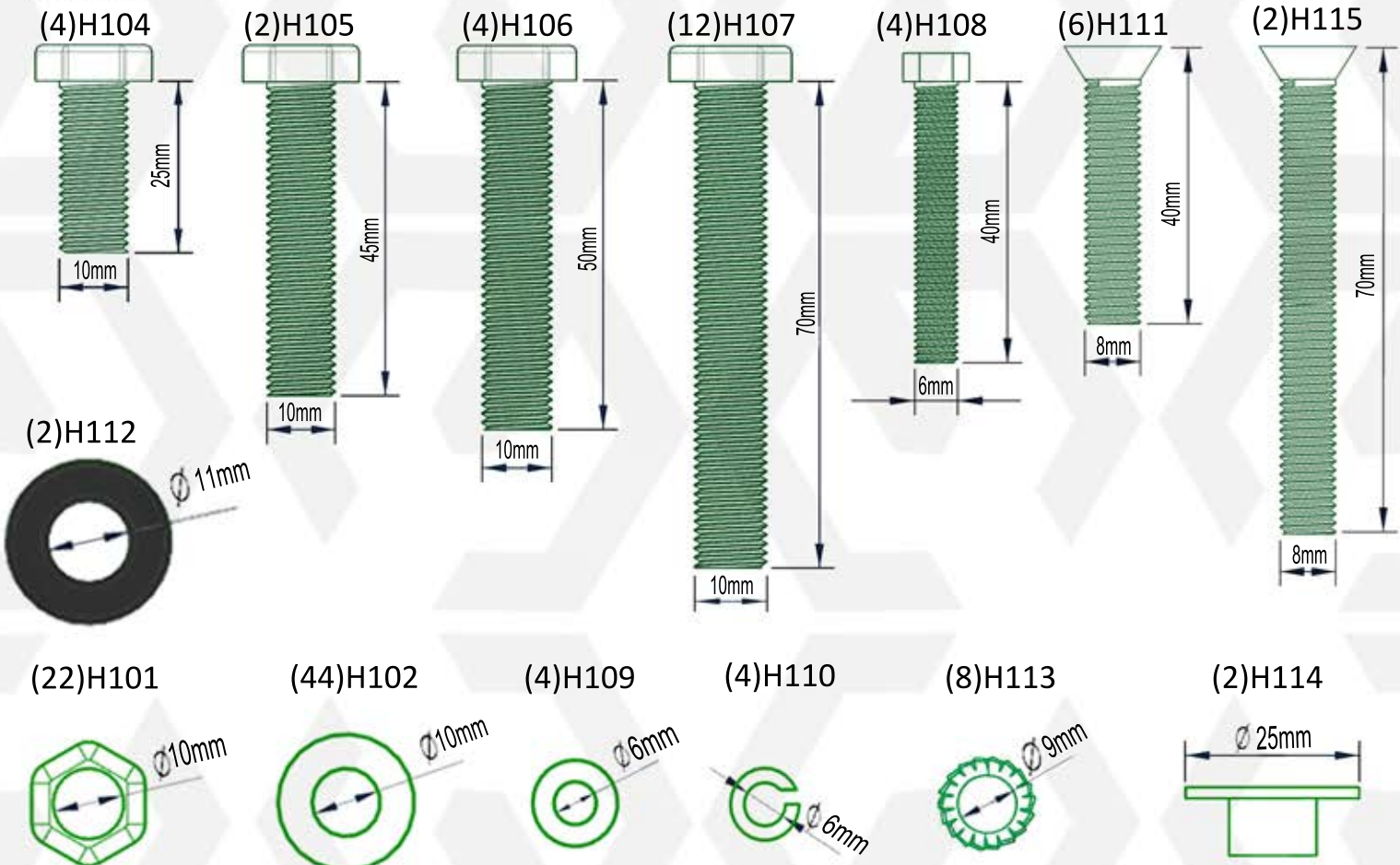
844-MODZ-USA



HARDWARE:

SHOWN TO SCALE

Unit: mm



STEP 1

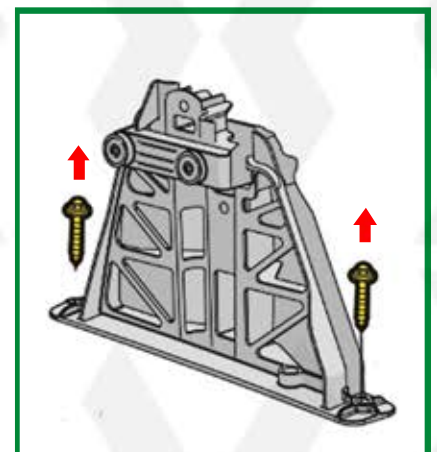
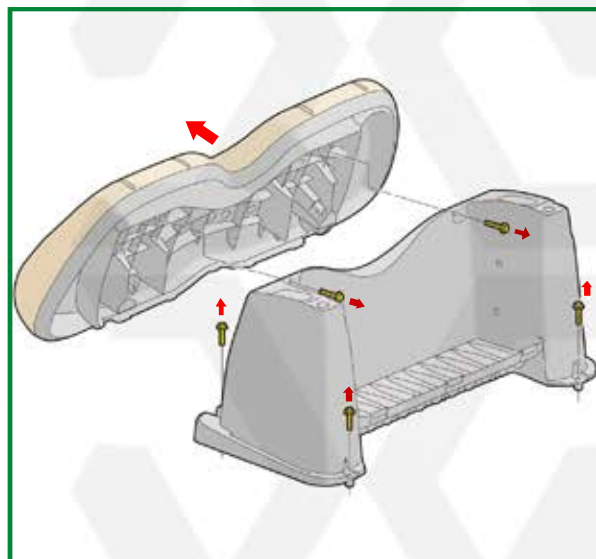
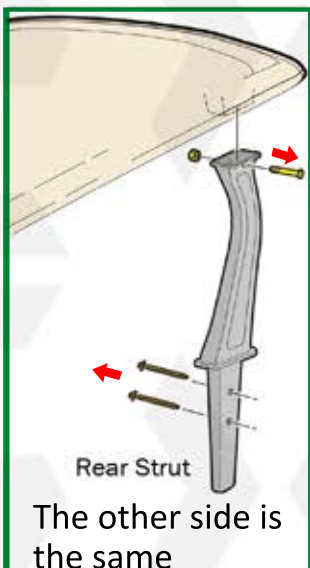
Remove rear struts while supporting top(Retain factory hardware).

STEP 2

Remove front seat back cushion and sweater basket(Retain factory hardware).

STEP 3

Remove both basket retainers.



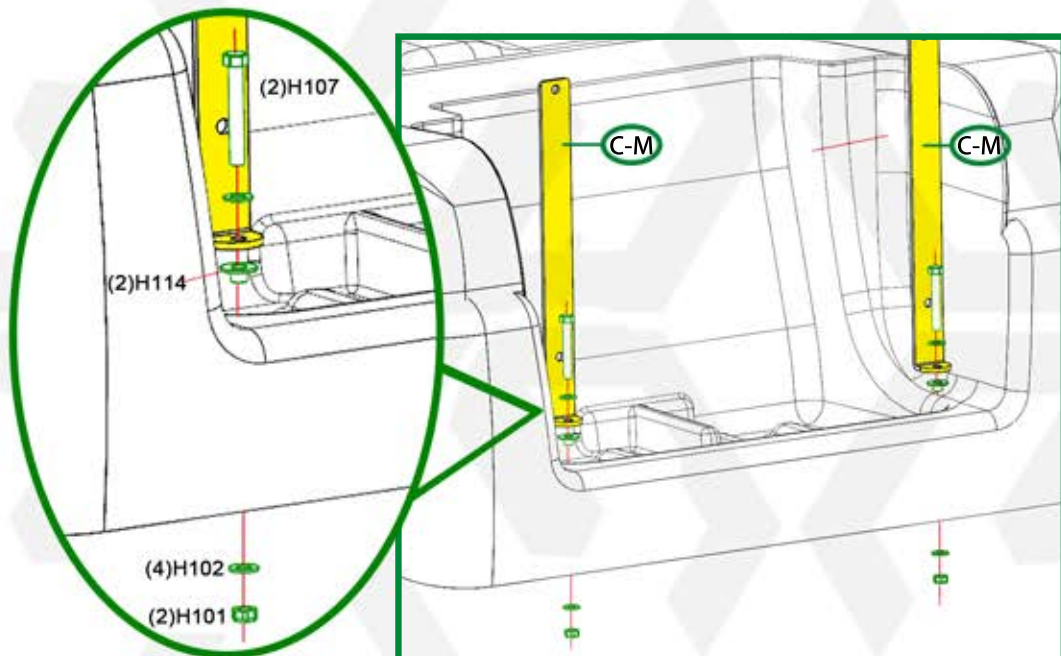


STEP 4

Install seat back supports.

Tighten hardware fully.

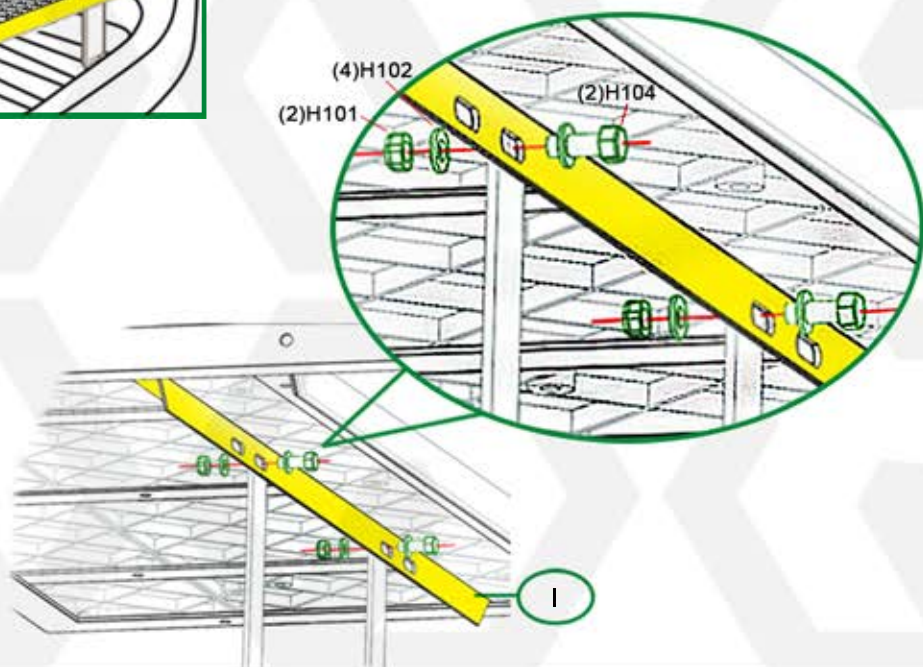
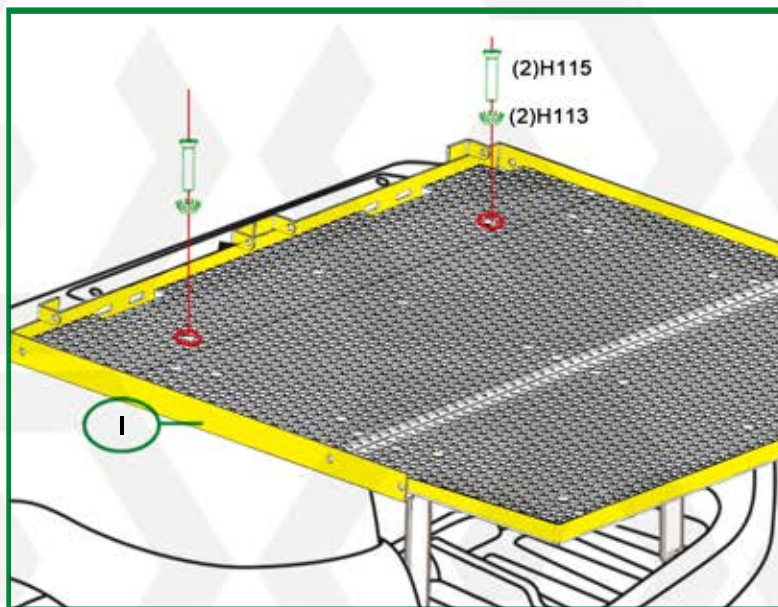
Use a 3/8" drill bit to open up the (2) rear most holes in the bagwell area. Drill completely through the rivet and the frame.



STEP 5

Install seat frame with plastic board.

Hand tighten only.





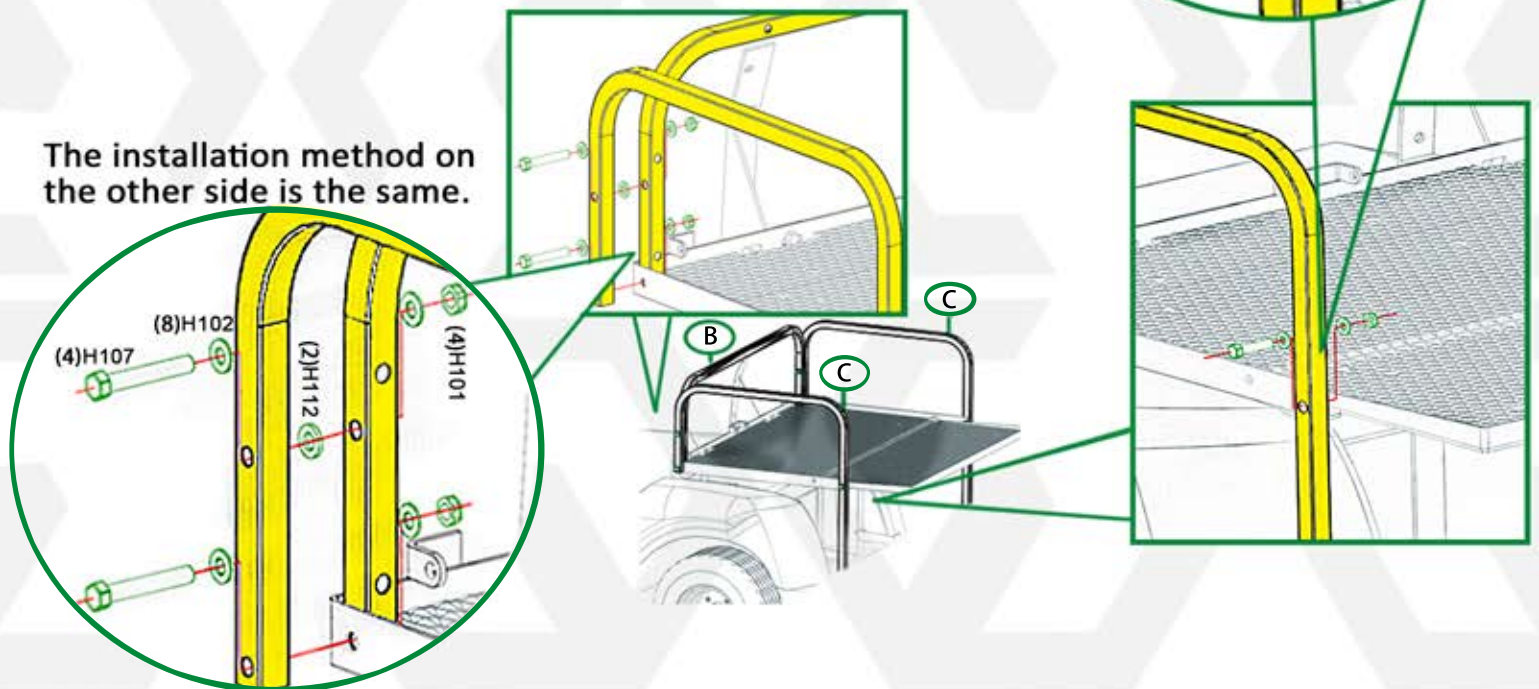
STEP 6

Install support bracket.

Hand tighten only.

The installation method on the other side is the same.

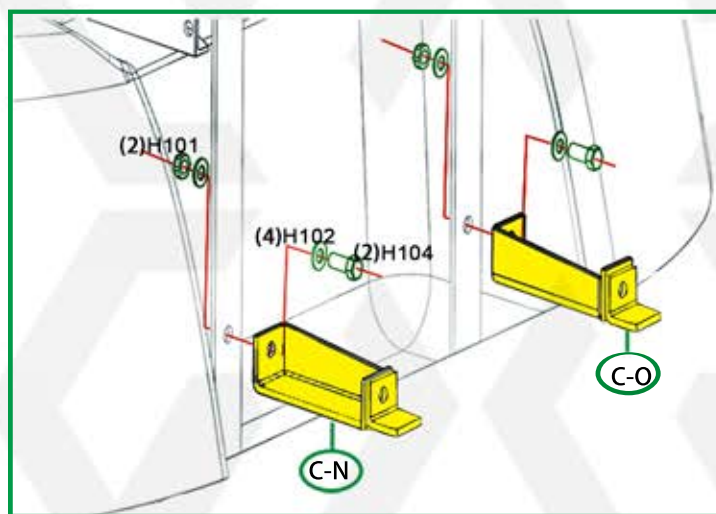
The installation method on the other side is the same.



STEP 7

Install footrest support brackets.

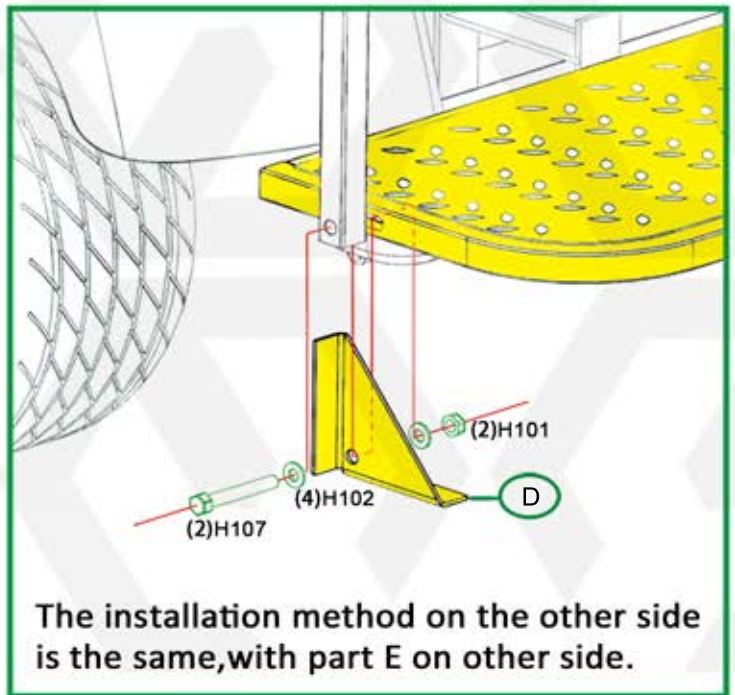
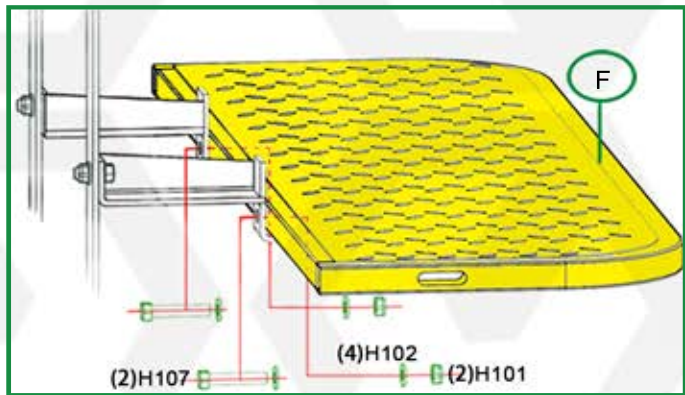
Hand tighten only.



STEP 8

Install footrest brackets and footrest.

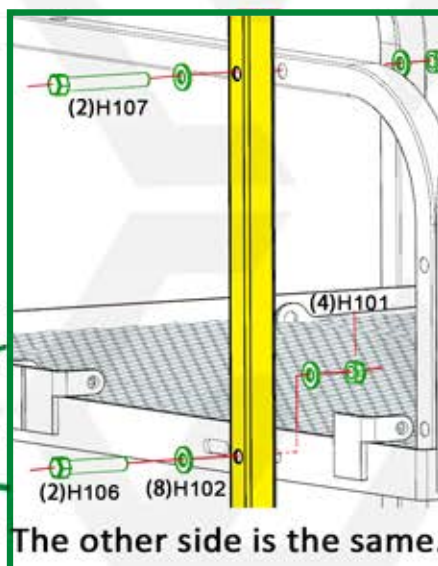
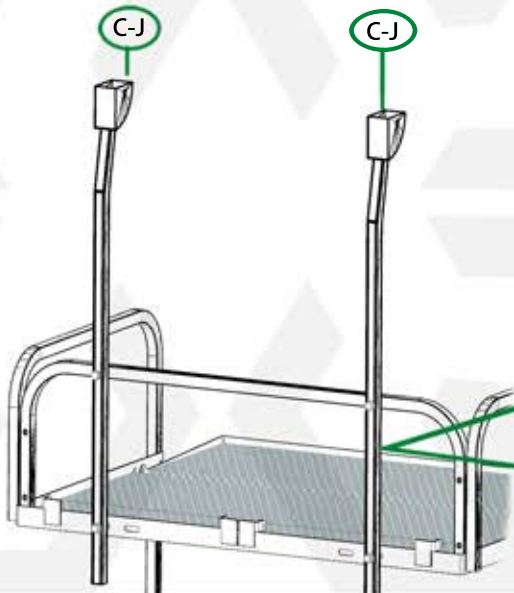
Hand tighten only.



STEP 9

Install rear strut.

Hand tighten only.

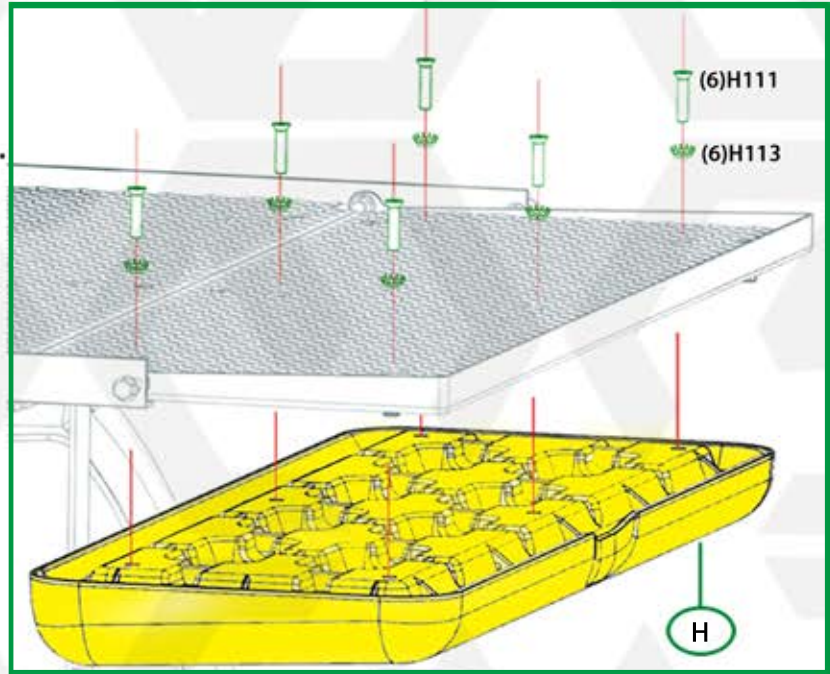


STEP 10

Install seat cushion.

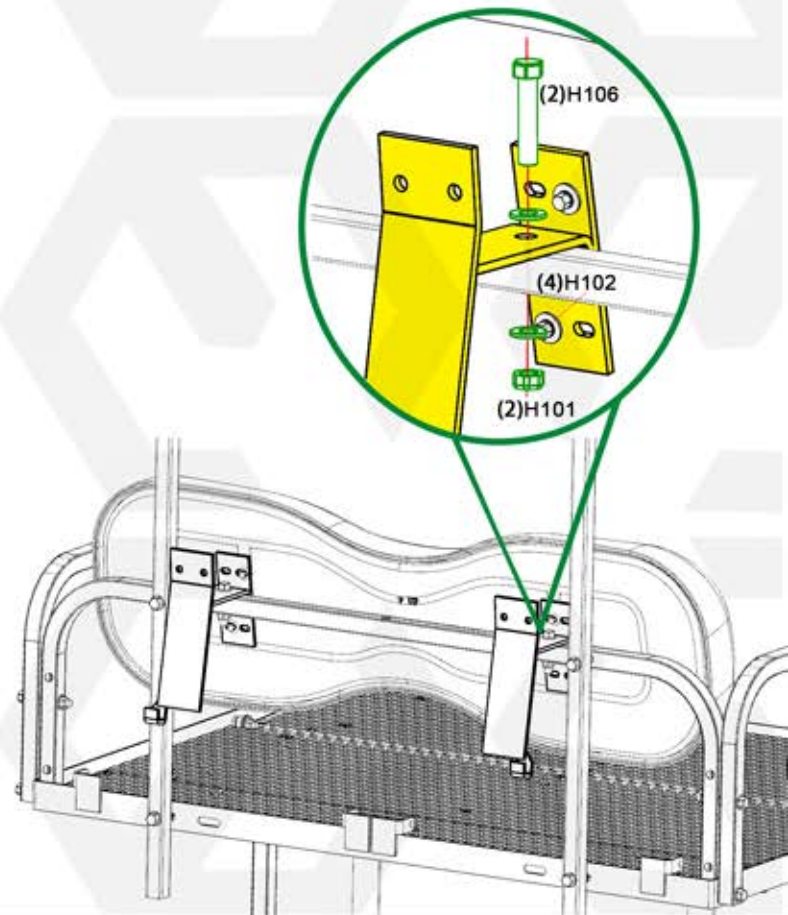
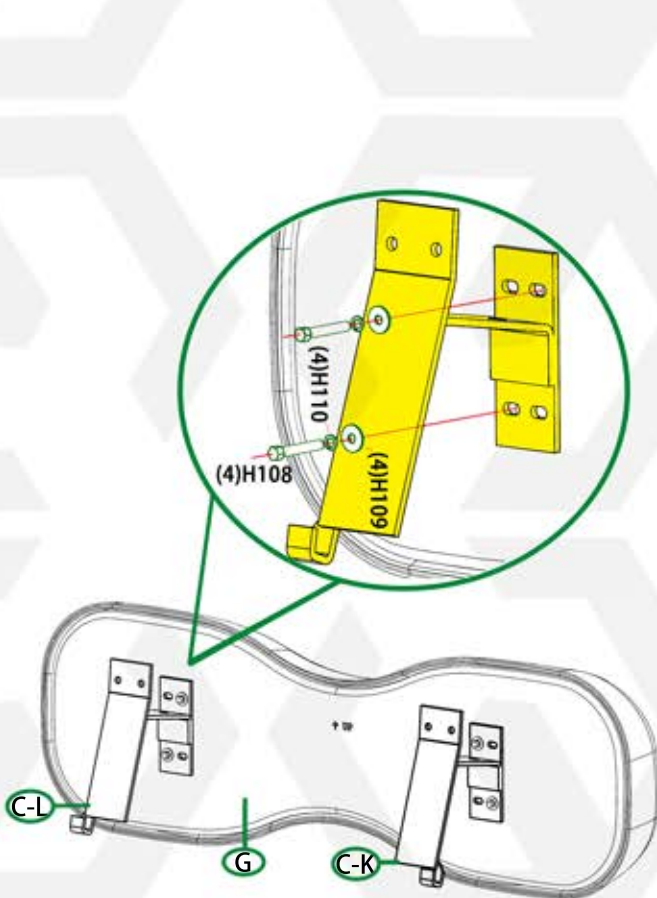
Caution: Use hand screw driver and
Install screws loosely prior to tightening.

(6)H113 are optional hardware when
install.



STEP 11

Install seat back.





STEP 12

Reinstall the front seat back using original hardware.

STEP 13

Reinstall the top using Original Hardware according to the disassembly method.

STEP 14

Install optional padded armrest covers (part A).

STEP 15

Tighten all hardware and enjoy!

