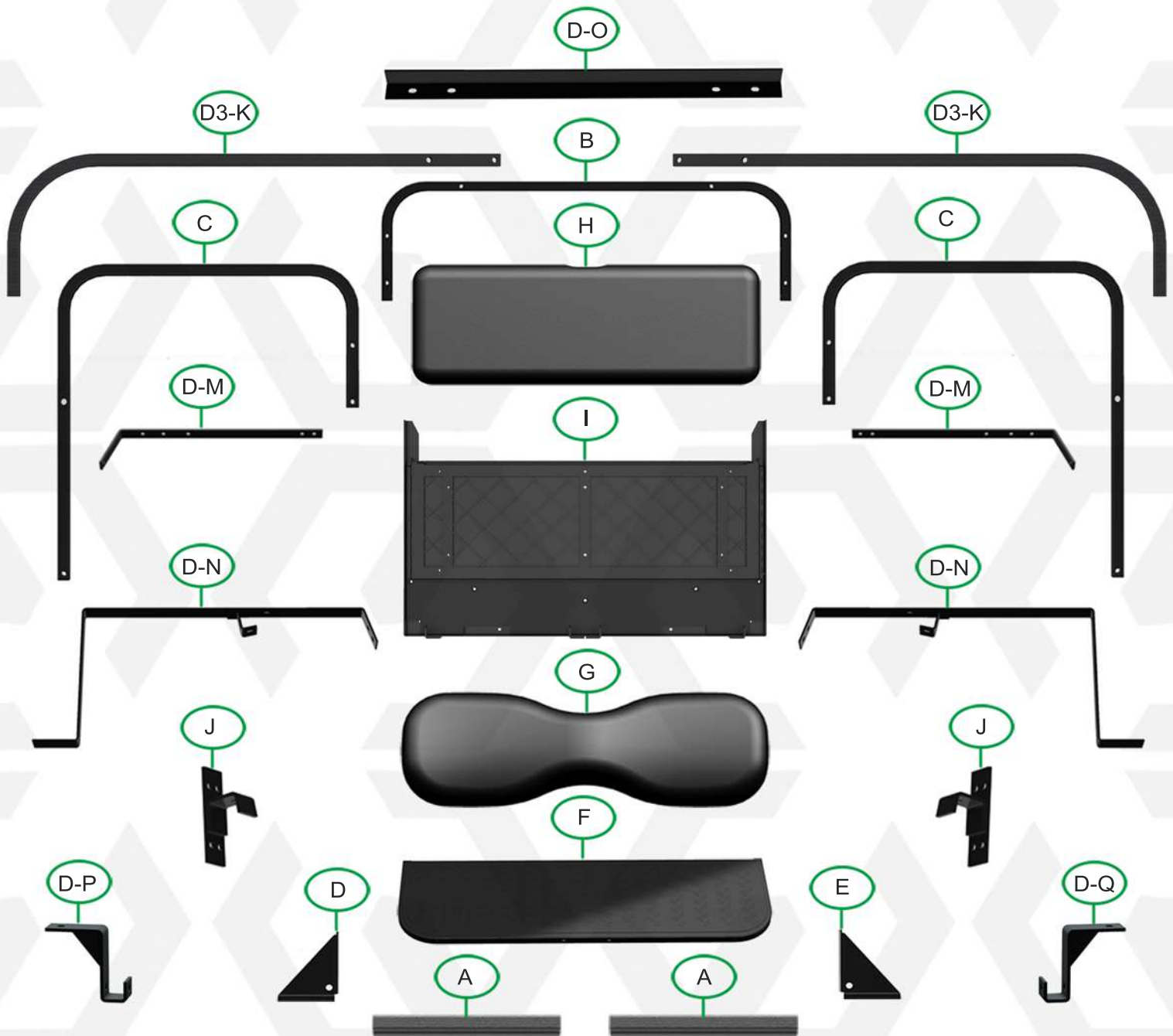


# MODZ<sup>®</sup> FLIP<sup>4</sup>

CLUB CAR DS 1982-2000.5 FOR OLD

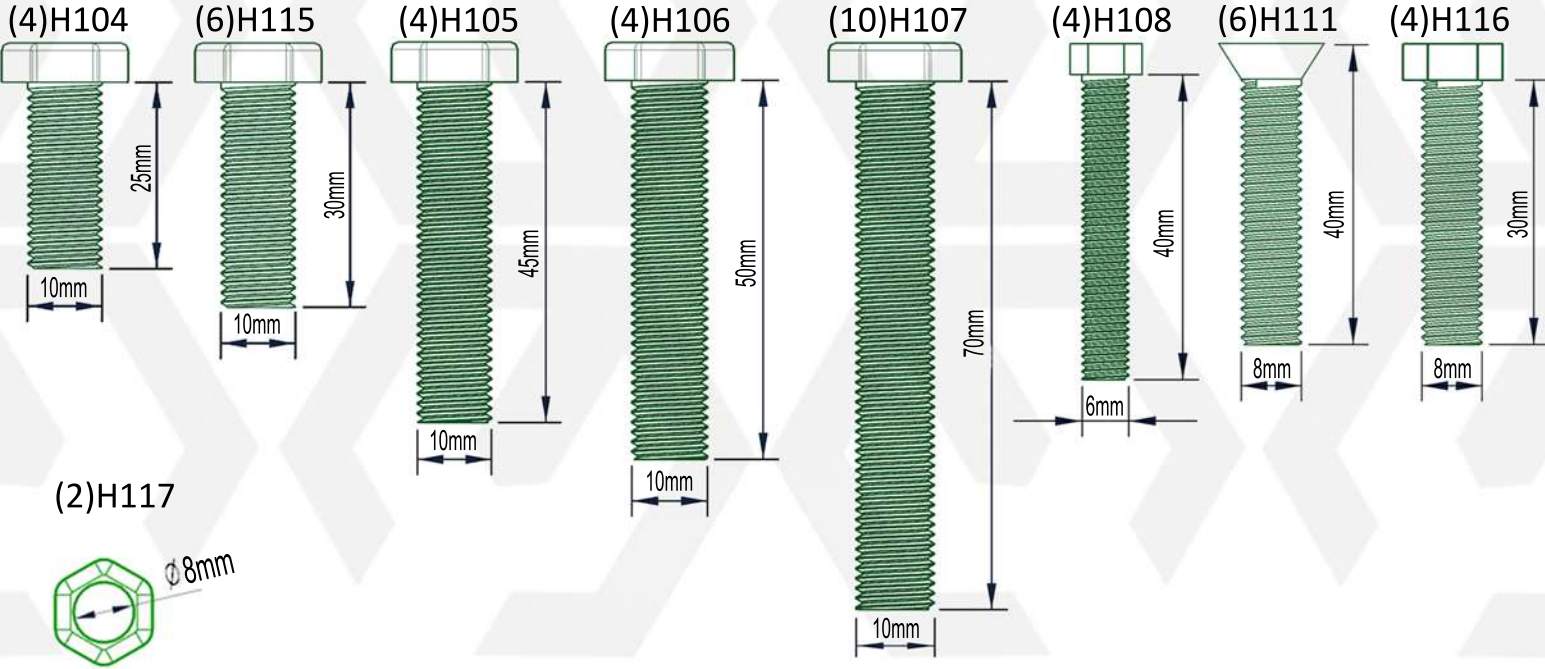
   [CartModz.com/Flip4](http://CartModz.com/Flip4)  844-MODZ-USA



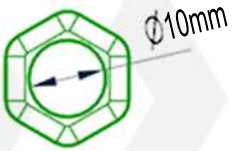
**HARDWARE:**

Shown to scale

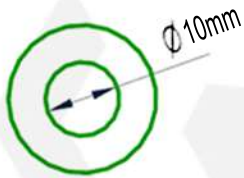
Unit: mm



(24)H101



(52)H102



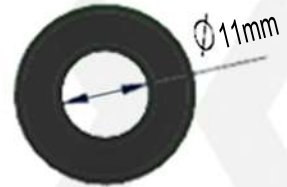
(4)H109



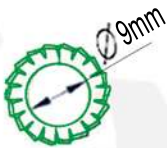
(4)H110



(2)H112

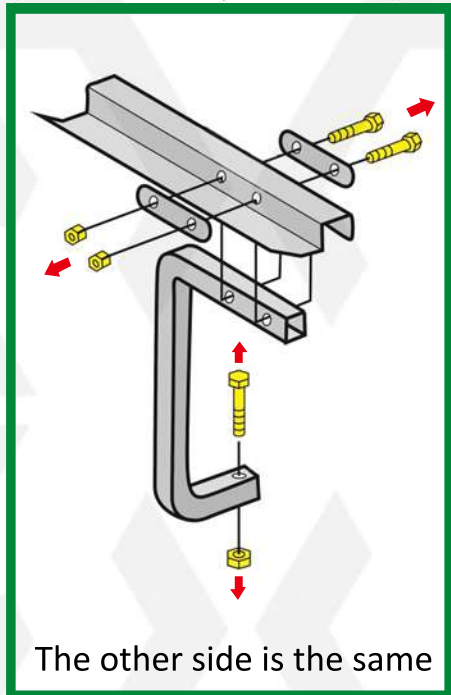


(6)H113



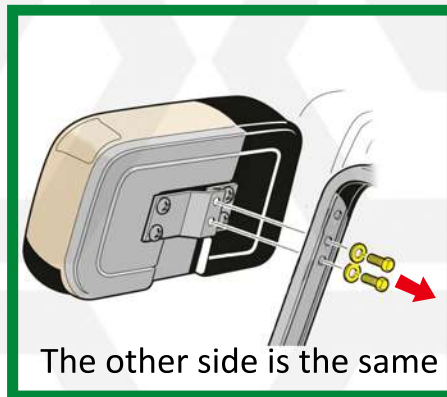
**STEP 1**

Remove top and rear struts.  
(Retain factory hardware).



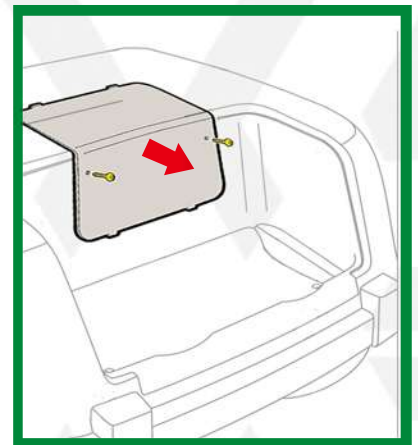
**STEP 2**

Remove front seat back cushion while supporting top.  
(Retain factory hardware)



**STEP 3**

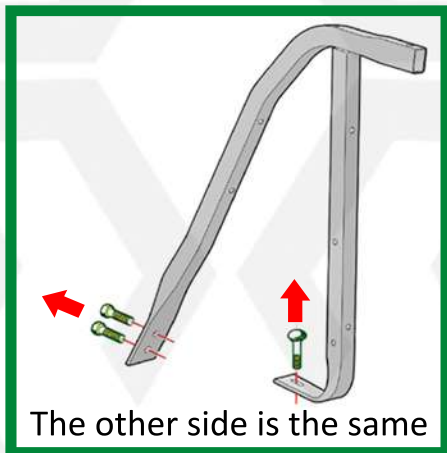
Remove access panel.  
(Retain factory hardware)





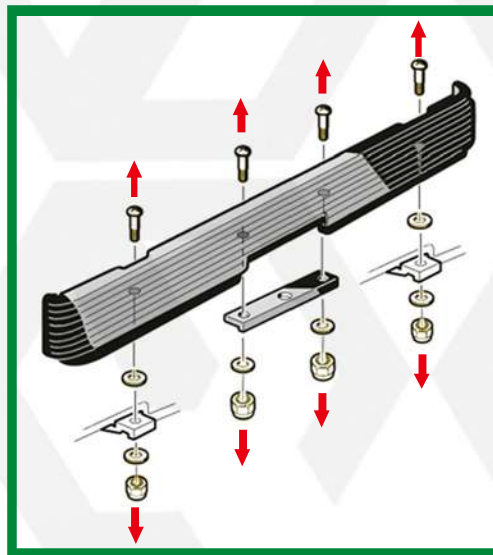
### STEP 4

Remove both front seat back supports.



### STEP 5

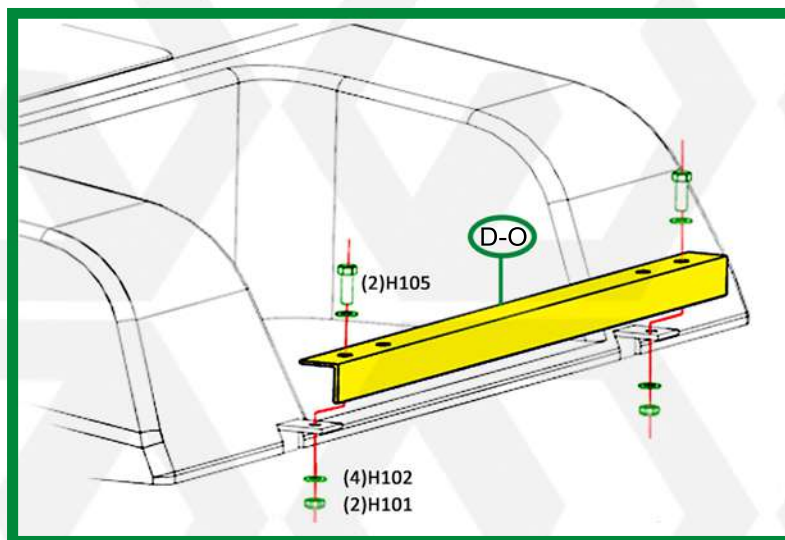
Remove rear bumper.



### STEP 6

Install support bracket.

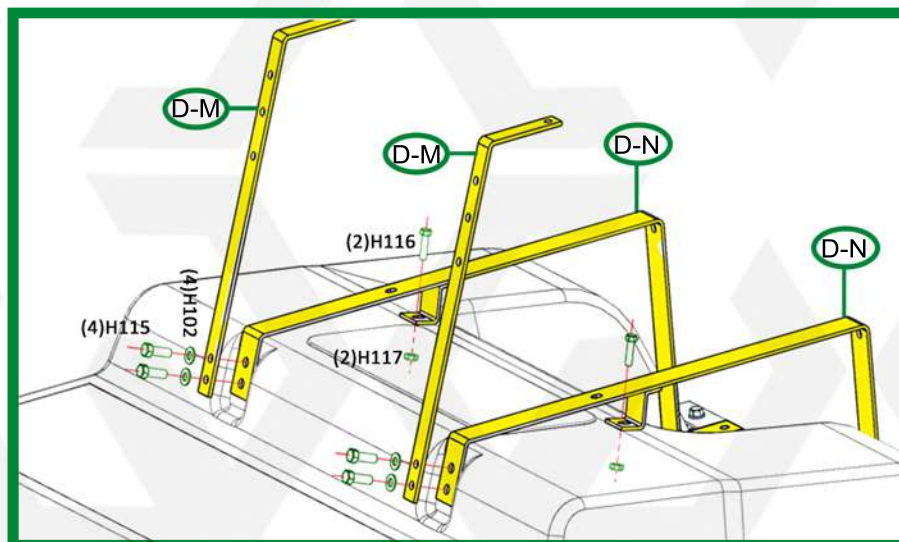
Hand tighten only.



### STEP 7

Install seat frame brackets and front seat back brackets.

Fully tighten.



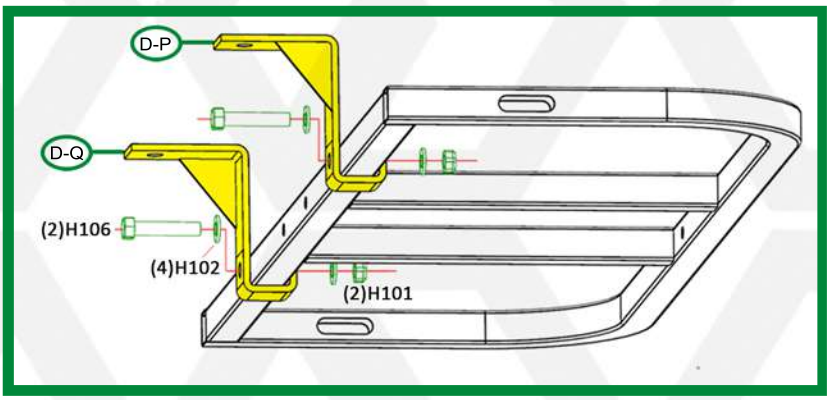
### STEP 8

Reinstall the access panel using the original hardware.

### STEP 9

Install footrest support brackets.

Hand tighten only.

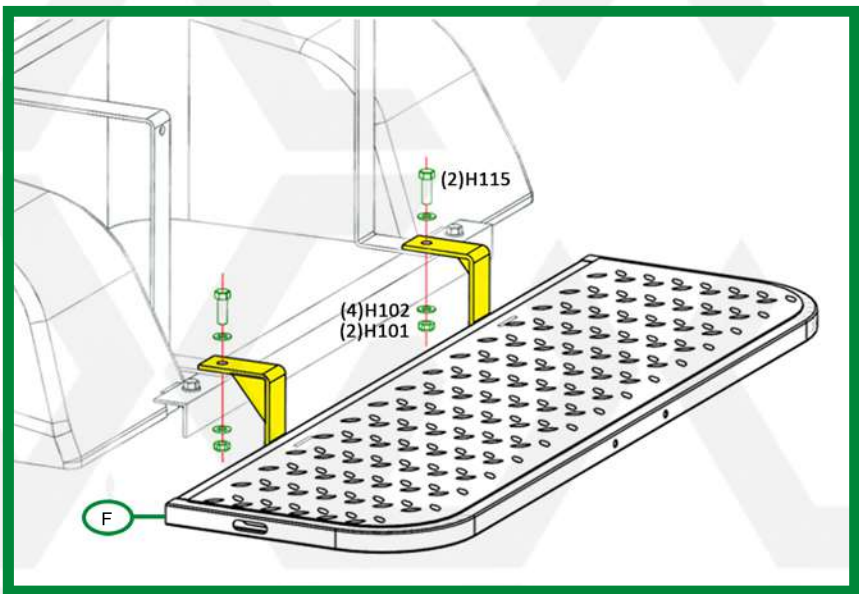


### STEP 10

Install footrest.

Tighten bolts from step 7.

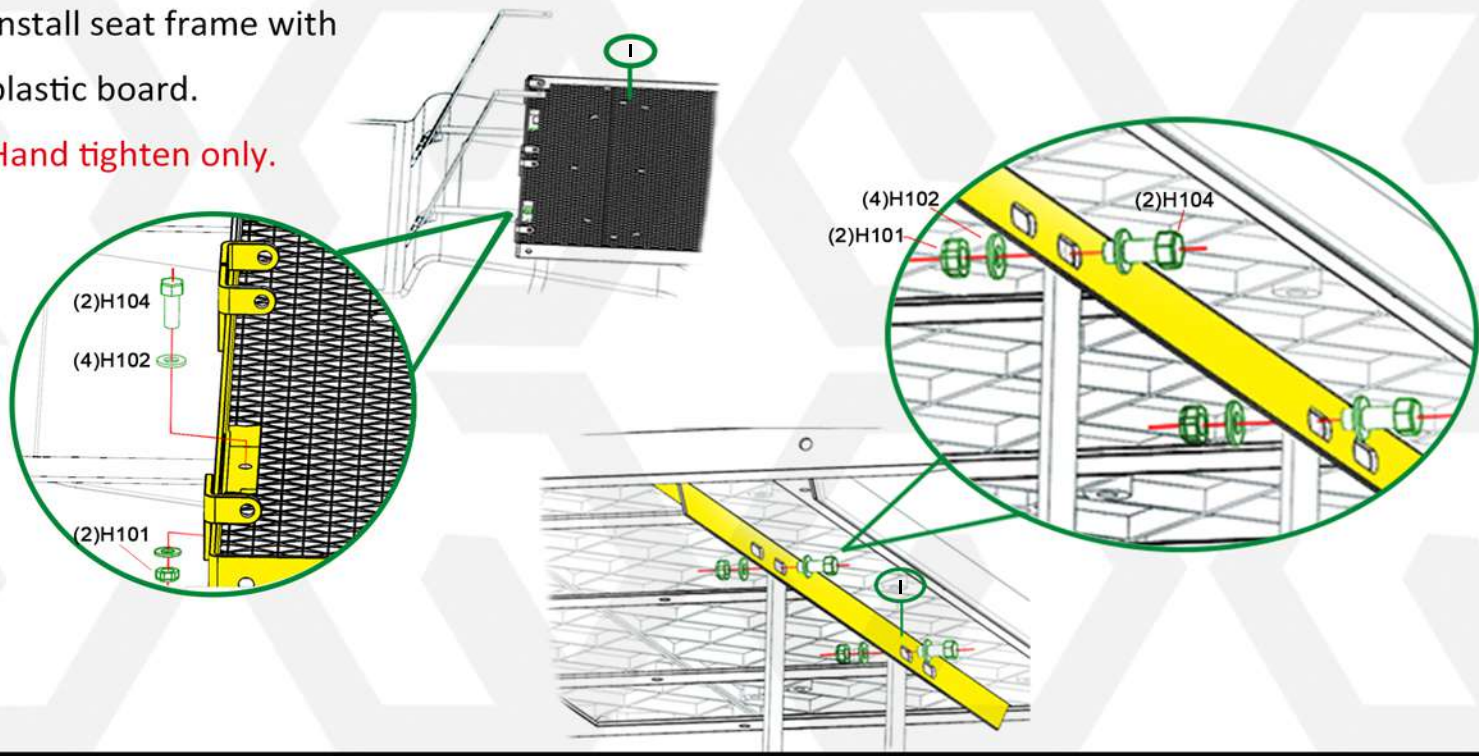
Hand tighten only.



### STEP 11

Install seat frame with plastic board.

Hand tighten only.

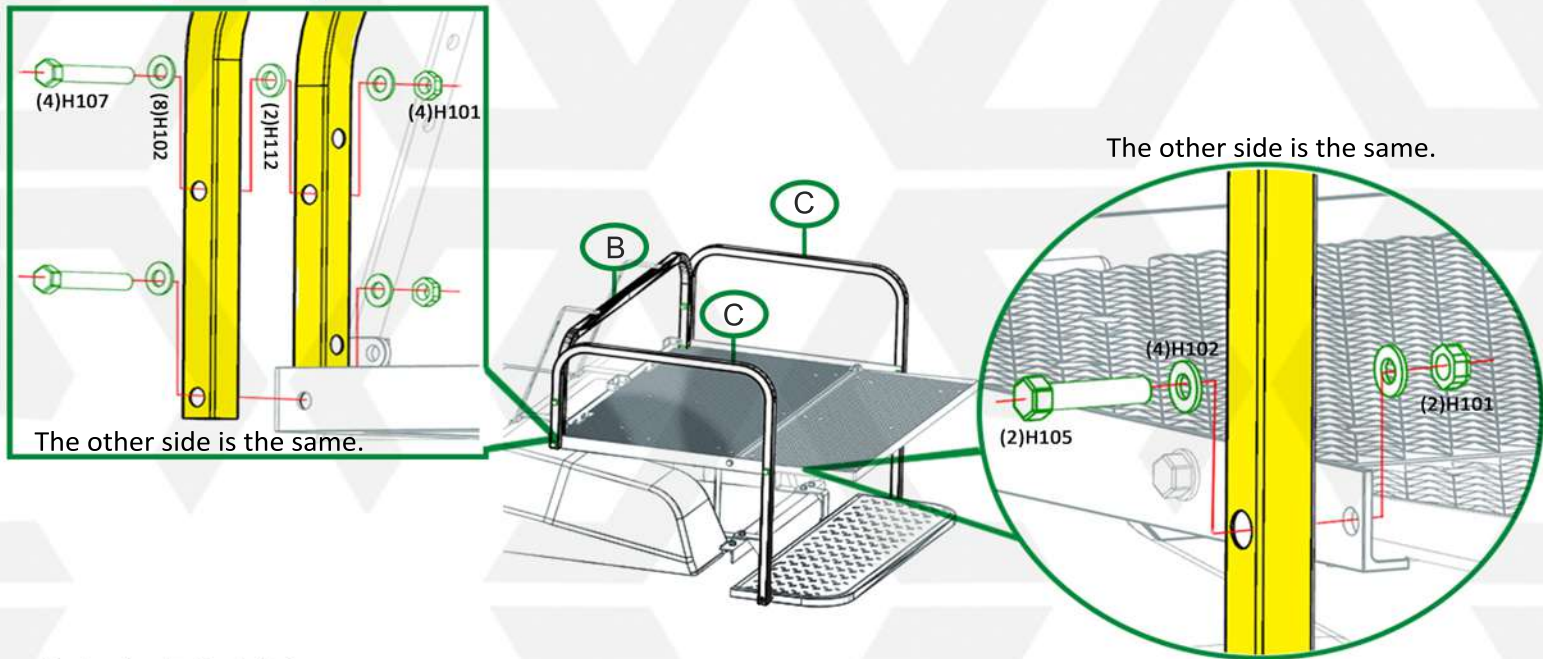




## STEP 12

Install support brackets.

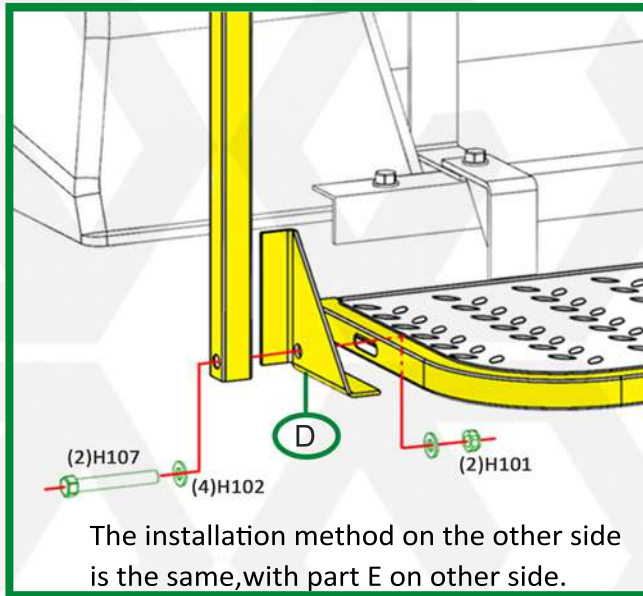
Hand tighten only.



## STEP 13

Install footrest brackets.

Hand tighten only.

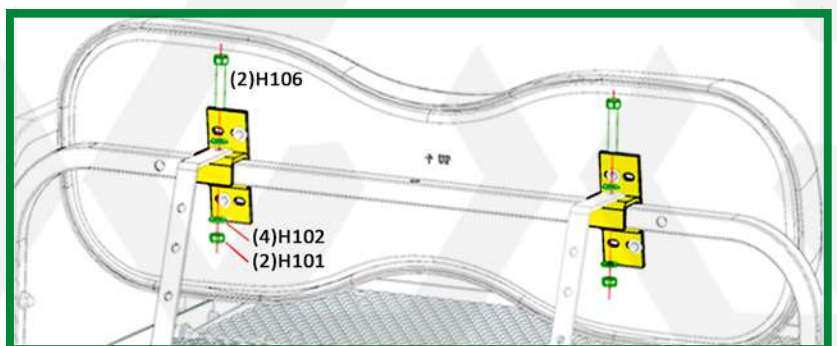
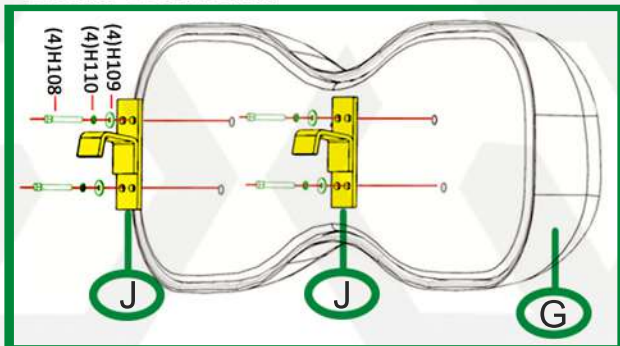


## STEP 14

Reinstall the front seat back using original hardware according to the disassembly method.

## STEP 15

Install seat back.

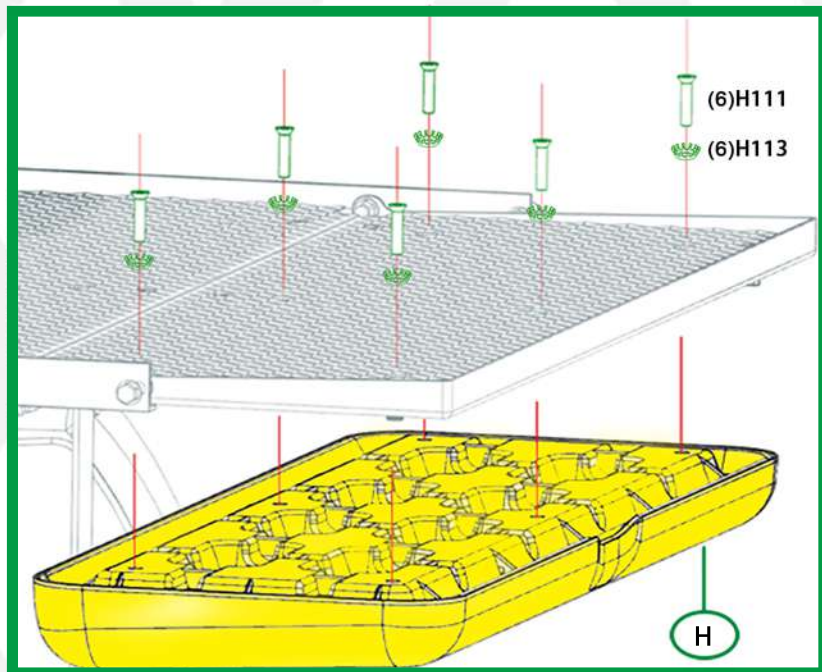


## **STEP 16**

Install seat cushion.

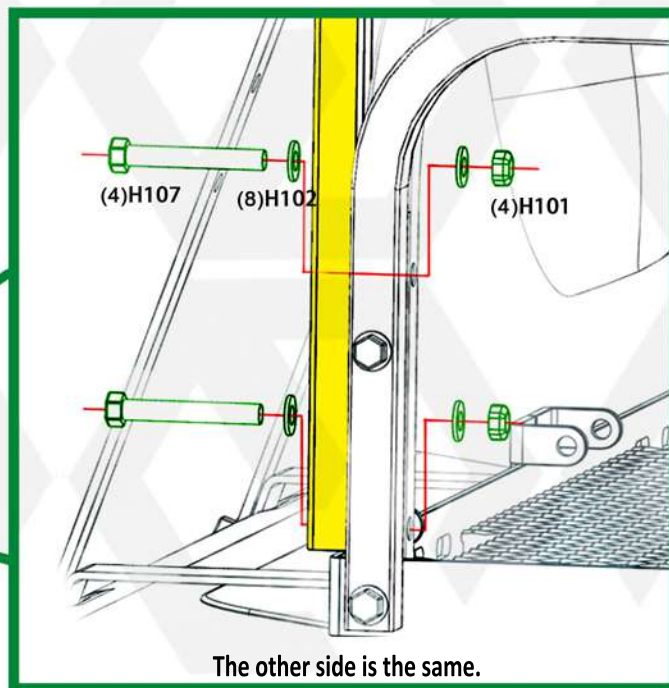
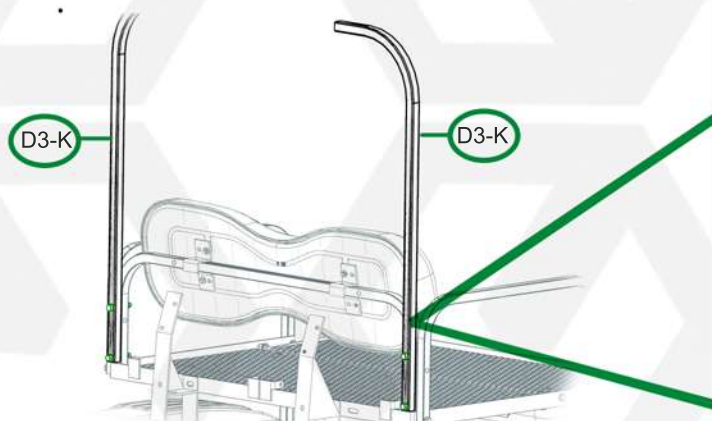
Caution: Use hand screw driver and  
Install screws loosely prior to tightening.

(6)H113 are optional hardware when  
install.



## **STEP 17**

Install rear strut.



## **STEP 18**

Reinstall the top using original hardware according to the disassembly method.

## **STEP 19**

Install optional padded armrest covers (part A).

## **STEP 20**

Tighten all hardware and enjoy!



