



CGR-112, 113, 134 and 135 Digital State of Charge Meters Installation Instructions

Before You Start

1. Turn the key to the OFF position.
2. Place the TOW/RUN switch in TOW.
3. Engage the parking brake.

Install State of Charge Meter

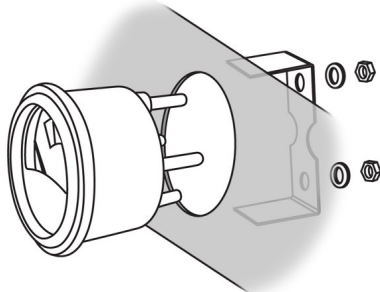
1. Find a location on the dash to mount the state of charge meter.
2. Mark the mounting location with a marking device. Dimensions are listed below.

CGR-112 and 113:

Mark the center of the mounting location.

CGR-134 and 135:

Outline the mounting area.

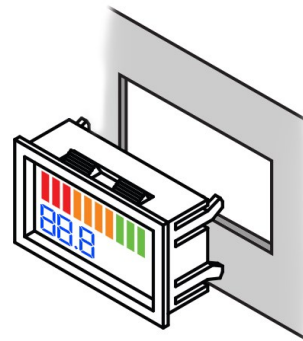


CGR-112 and CGR-113

2" Diameter Hole

Voltage Specifications

CGR-112: 36V
CGR-113: 48V



CGR-134 and CGR-135

1" High x 1-3/4" Long

Voltage Specifications

CGR-134: 36V
CGR-135: 48V

3. Drill or cut the marked area. Test fit the meter. Make any adjustments with a file.

CAUTION: Look behind the mounting location BEFORE you drill or cut. Installer is responsible for damage.

4. File any rough edges.
5. Mount the charge meter securely to the dash of the vehicle as shown using the Hardware Included with the Meter.

NOTE: Be sure the meter is oriented correctly before final installation.

6. Connect the meter using one of the following diagrams on the second page. E-Z-Go RXV: Follow "Always ON" diagram.

Key Switch Controls ON/OFF Operation

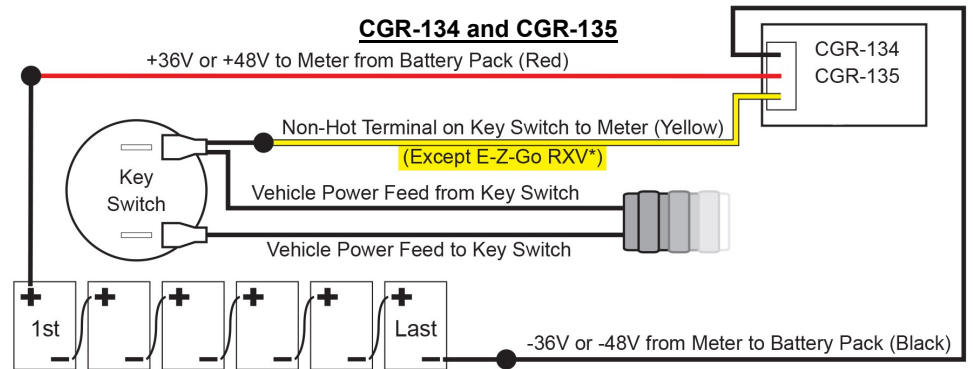
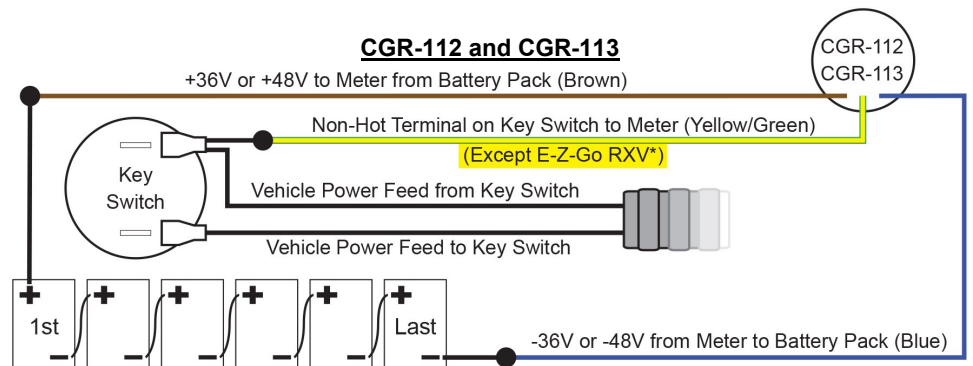
Digital State of Charge Meters Key Switch Controls ON/OFF Function

1. Connect leads to meter as shown.
2. Place cart in RUN with key OFF.
3. Use a voltage meter to determine which terminal on the back of the key switch is not energized when the key is OFF.
4. Place cart in TOW with key OFF.
5. Connect yellow or yellow/green lead from meter to the non-energized terminal on the back of the key switch found in Step 3.

E-Z-Go RXV: Follow "Always ON" Diagram below.

NOTE: LED indicator on meter should only be lit when cart is in ON/RUN. If the LED indicator is lit when the key is OFF, the yellow or yellow/green lead is connected to the power side of the key switch and not the ON/RUN side.

6. Connect meter to battery pack as shown.



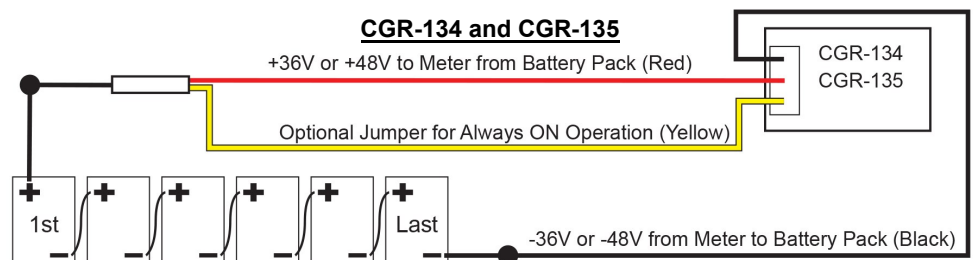
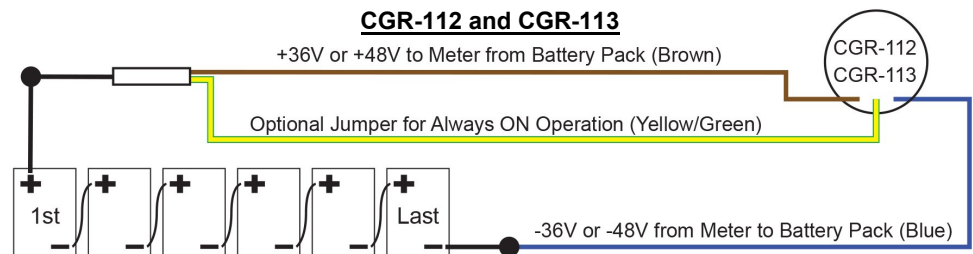
Always ON Operation

Digital State of Charge Meter Always ON Function (E-Z-Go RXV, Optional for other carts)

1. Connect leads to meter as shown.
2. Connect meter to battery pack as shown.

NOTE: Digital meters need (3) complete charge cycles to reach optimal accuracy.

Battery Layouts: Battery layouts are for reference only. Battery configurations may vary.



The installation is now complete.
Please enjoy safely!