



ACC-0106 Power Center Installation Instructions

Contents of ACC-0106 Kit

- (1) Power Center Charger
- (4) Mounting Screws

Tools Required

- Phillips Screwdriver
- Cutting Tool
- Flat File



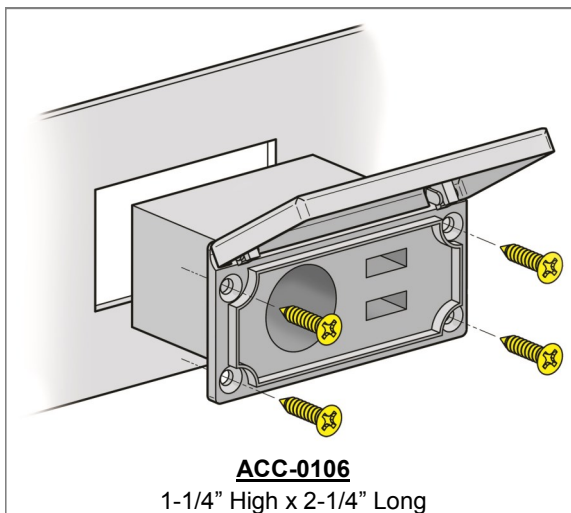
Caution: This accessory is designed for 12V DC operation only. Operating this kit at a higher voltage will void any and all warranties.

Before You Start

1. If the vehicle is ON, turn the key to the OFF position.
2. Electric Carts: Place the TOW/RUN switch in the TOW position.
3. Remove the vehicle's positive & negative connections from the battery/battery pack.
4. Engage the parking brake.

Power Center Installation

1. Find a convenient location to mount the outlet. Mounting locations will vary depending on the vehicle.
2. Outline the mounting area with a marking device (1.25" H x 2.25" W).
3. Cut the marked area. Test fit the outlet. Make any adjustments with a file.
4. Connect the outlet using the diagram on the reverse side.

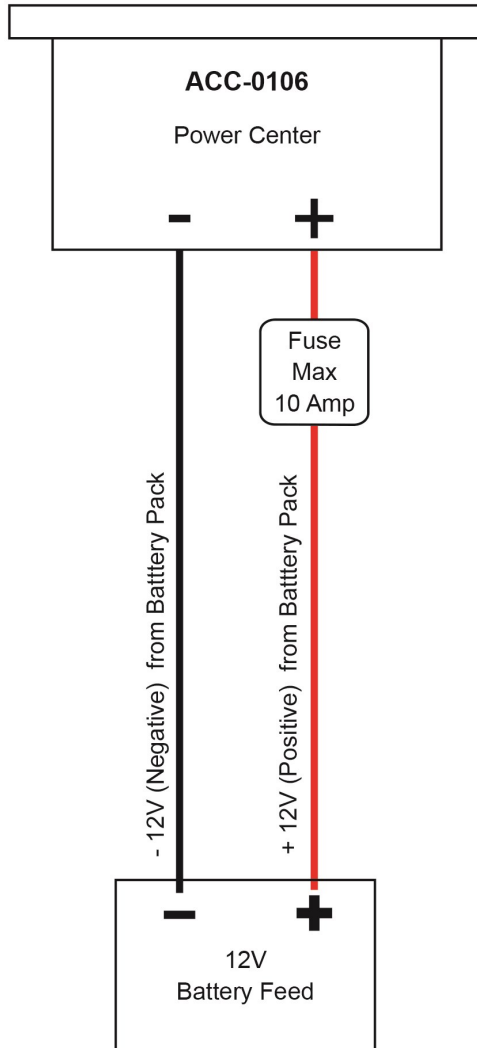


CAUTION: Connecting the wires incorrectly will damage the outlet.

NOTE: A fuse holder (ACC-0019) and a 10A fuse are recommended if connecting the outlet directly to a 12V battery, voltage reducer or accessory connections on a light kit harness.

5. Mount the outlet using the (4) Mounting Screws.

Power Center Wiring Diagram



This completes the installation of your RHOX Power Center.
Please enjoy safely!

Scan QR code or use the link below to
view the installation video.

<https://vimeo.com/user39935056>

