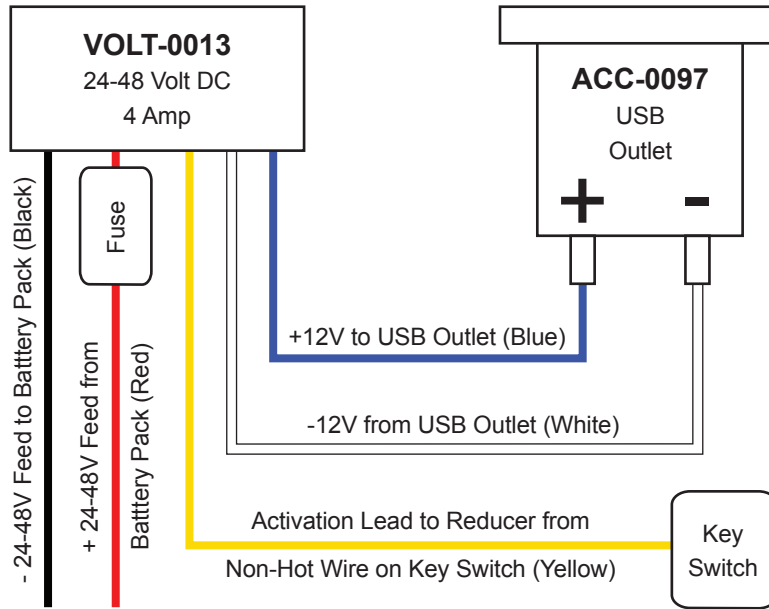


ACC-0100 USB Charging Kit Instructions 24-48 Volt Vehicles



***NOTE: Please use the diagram below if installing the ACC-0100 on an E-Z-Go Electric RXV.**

ACC-0100 USB Charging Kit Instructions E-Z-Go Electric RXV

